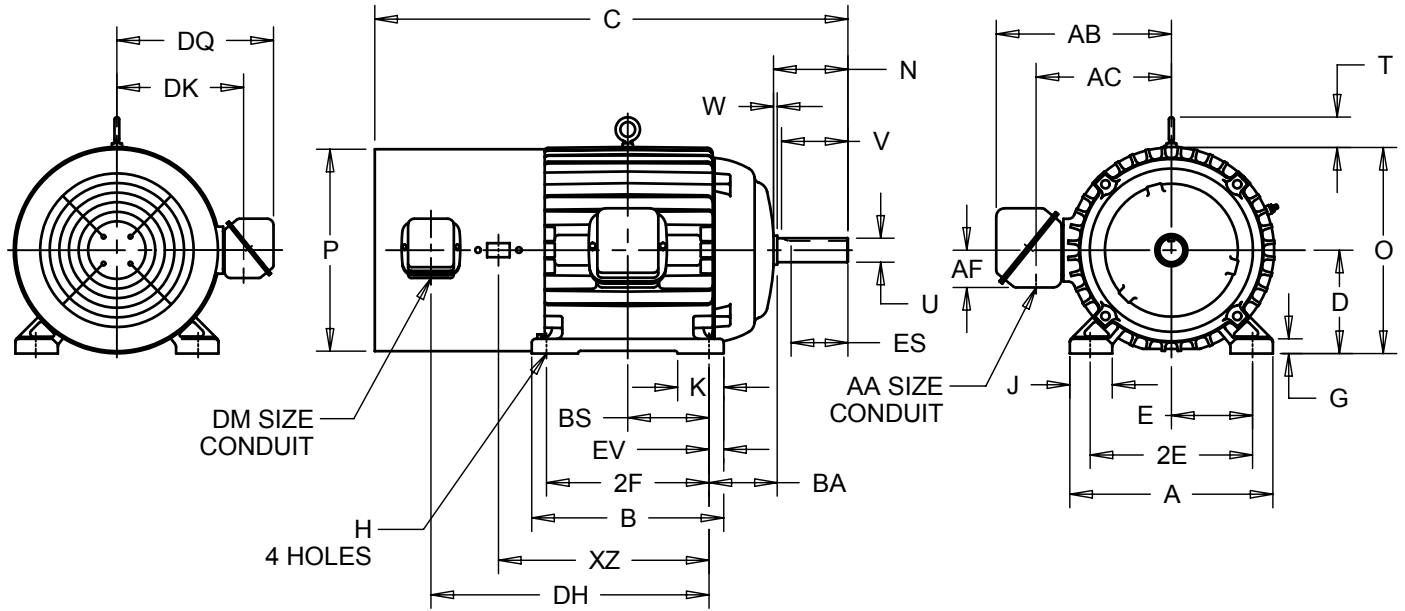


EFFECTIVE:  
**06-JUN-11**  
SUPERSEDES:  
**08-MAR-10**

**HORIZONTAL MOTORS**  
VECTOR CONTROL  
FRAME: 444, 445, 447T  
BASIC TYPE: CTBI, CTBX - CONVERSION

PRINT:  
**07-2762**  
SHEET:  
**1 OF 1**



ALL DIMENSIONS ARE IN INCHES AND MILLIMETERS

UNITS	A	D -.06	E	2E ±.03	G	H +.05	J	N	O	P <sup>2</sup>	T
IN	22.00	11.00	9.00	18.00	1.50	.81	4.00	8.88	22.63	23.22	3.22
MM	559	279	229	457	38	21	102	226	575	590	82

UNITS	U -.001	V MIN	W	AA	AB	AC	AF	BA ±.09	DH	DK	DM
IN	3.375	8.25	.38	3.00	19.75	15.13	4.72	7.50	31.50	12.41	.75
MM	85.73	210	10		502	384	120	191	800	315	

UNITS	DQ	ES MIN	EV	XZ	SQ KEY
IN	13.97	6.91	1.50	25.75	.875
MM	355	176	38	654	22.23

FRAME	UNITS	B	C	K	BS
444, 445T	IN	19.50	50.31	6.00	8.25
	MM	495	1278	152	210
447T	IN	23.00	53.47	4.00	10.00
	MM	584	1358	102	254

FRAME	UNITS	2F ±.03
444T	IN	14.50
	MM	368
445T	IN	16.50
	MM	419
447T	IN	20.00
	MM	508

- 1: ALL ROUGH CASTING DIMENSIONS MAY VARY BY .25" DUE TO CASTING AND /OR FABRICATION VARIATIONS.
- 2: LARGEST MOTOR WIDTH.
- 3: TOLERANCES SHOWN ARE IN INCHES ONLY.
- 4: STANDARD ASSEMBLY POSITION F-1 IS SHOWN F-2 IS PROVIDED WHEN SPECIFIED. CONDUIT OPENINGS MAY BE LOCATED IN STEPS OF 90° REGARDLESS OF LOCATION. STANDARD AS SHOWN WITH CONDUIT OPENING DOWN

07-2762/B

**Nidec Motor Corporation**  
St. Louis, Missouri

INFORMATION DISCLOSED ON THIS DOCUMENT IS CONSIDERED PROPRIETARY AND SHALL NOT BE REPRODUCED OR DISCLOSED WITHOUT WRITTEN CONSENT OF NIDEC MOTOR CORPORATION



ISSUED BY  
**M. CHAUDHARI**  
APPROVED BY  
**R. KING**

IHP\_DP\_NMCA (MAR-2011) SOLIDEDGE