

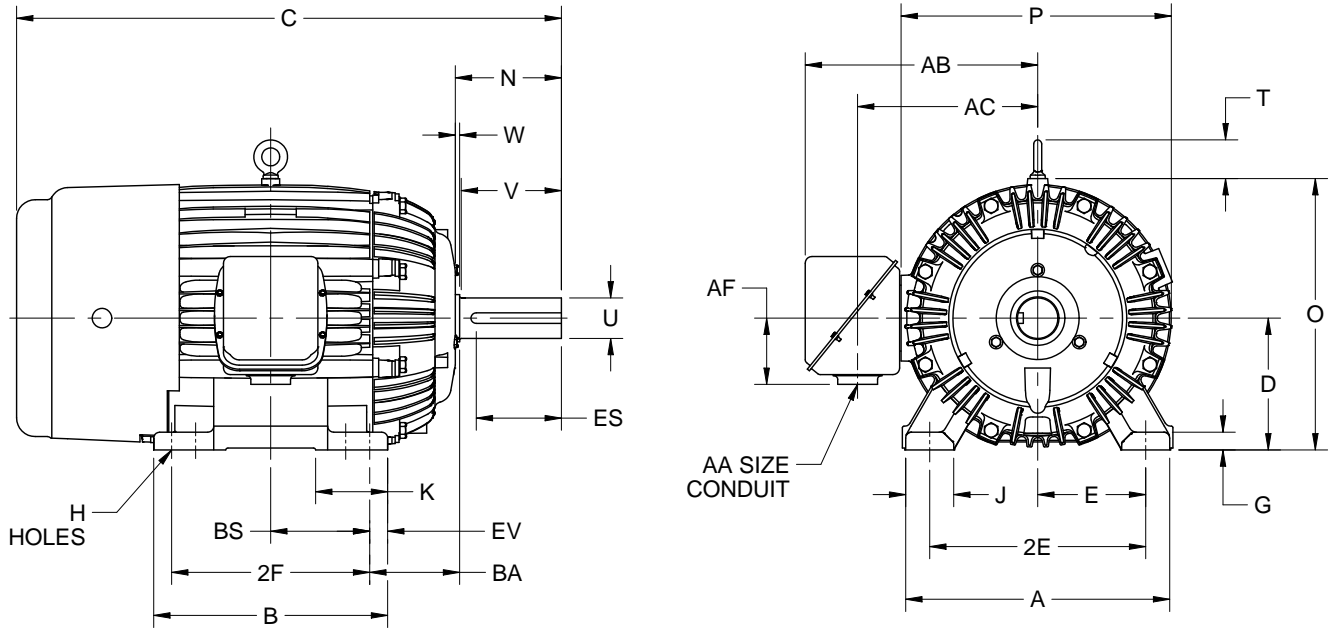
EFFECTIVE:
09-SEP-20

SUPERSEDES:
09-JUN-11

DIMENSION PRINT
AUTOMOTIVE DUTY
FRAME: 444, 445, 447U, US
BASIC TYPE: JAD, JDE

PRINT:
07-2768

SHEET:
1 OF 1



ALL DIMENSIONS ARE IN INCHES AND MILLIMETERS

	A	D -.06	E	2E ±.03	G	H +.05	J	O	P ²
IN	22.00	11.00	9.00	18.00	1.50	.81	4.00	22.63	22.53
MM	559	279	229	457	38	21	102	575	572

	T	W	AA	AB	AC	AF	BA ±.09	EV
IN	3.22	.38	2 1/2 NPT	19.38	15.00	5.53	7.50	1.50
MM	82	10		492	381	140	191	38

	FRAME	C	N	U -.001	V MIN	ES MIN	SQ KEY
IN	444, 445U	45.88	9.06	2.875	8.38	7.00	.750
		1165	230	73.03	213	178	19.05
IN	444, 445US	41.50	4.63	2.125	4.00	2.75	.500
		1054	118	53.98	102	70	12.70
IN	447U	49.38	9.06	2.875	8.38	7.00	.750
		1254	230	73.03	213	178	19.05
IN	447US	45.00	4.63	2.125	4.00	2.75	.500
		1143	118	53.98	102	70	12.70

	FRAME	2F ±.03
IN	444	14.50
MM		368
IN	445	16.50
MM		419
IN	447	20.00
MM		508

	FRAME	B	K	BS
IN	444, 445	19.50	6.00	8.25
MM		495	152	210
IN	447	23.00	4.00	10.00
MM		584	102	254

1. DIMENSIONS MAY VARY .25" DUE TO CASTING AND/OR FABRICATION VARIATIONS.
2. LARGEST MOTOR WIDTH.
3. TOLERANCES ARE SHOWN IN INCHES.
4. CONDUIT BOX MAY BE LOCATED ON EITHER SIDE OF MOTOR. CONDUIT OPENING MAY BE LOCATED IN STEPS OF 90 DEGREES REGARDLESS OF LOCATION. STANDARD AS SHOWN WITH CONDUIT OPENING DOWN.

07-2768/C

Nidec Motor Corporation
St. Louis, Missouri

INFORMATION DISCLOSED ON THIS DOCUMENT IS CONSIDERED PROPRIETARY AND SHALL NOT BE REPRODUCED OR DISCLOSED WITHOUT WRITTEN CONSENT OF NIDEC MOTOR CORPORATION



ISSUED BY
K. FRIEDMAN
APPROVED BY
J. O'BRIEN

IHP_DP_NMCA (MAR-2011) SOLIDEDGE