

EFFECTIVE:
04-NOV-14

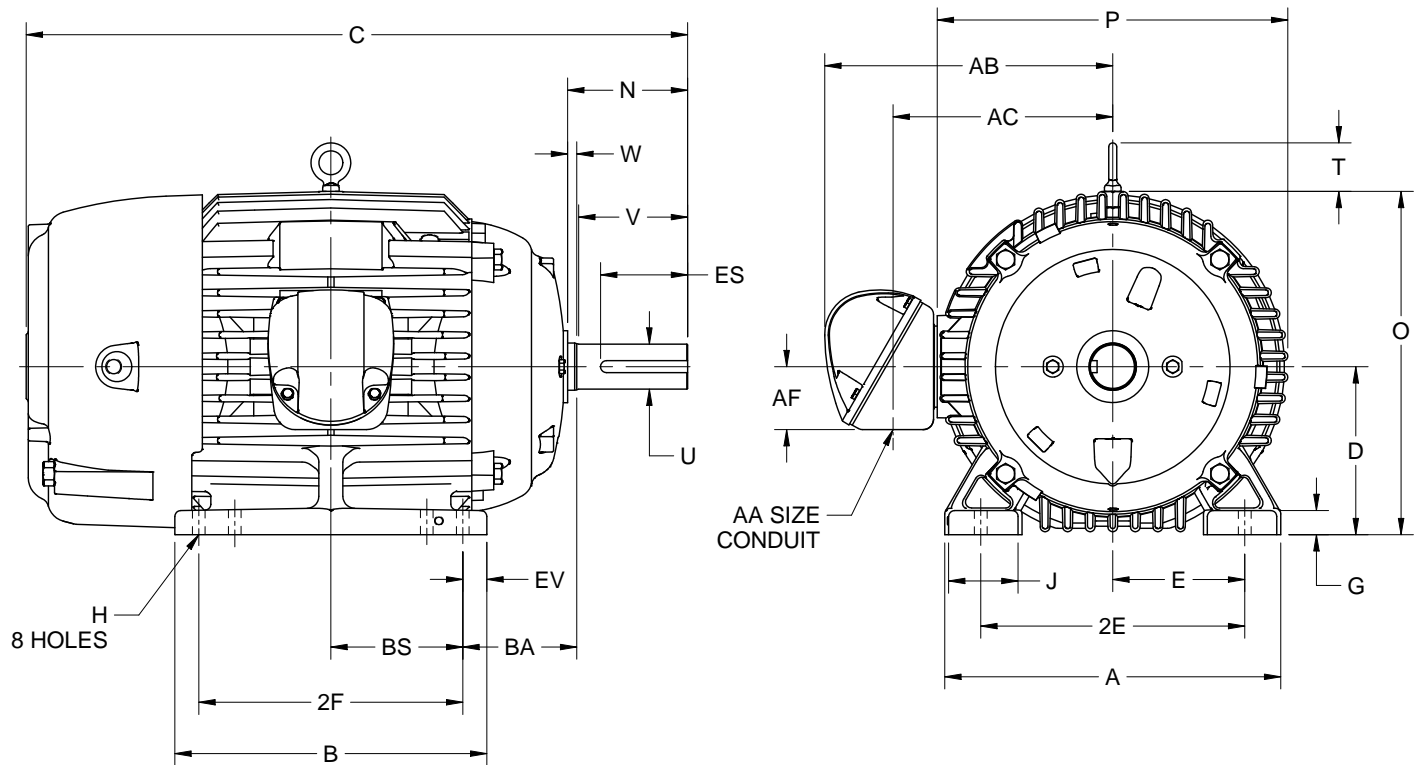
DIMENSION PRINT

PRINT:
07-2775

SUPERSEDES:
14-APR-14

FRAME: 280T, TS
BASIC TYPE: TC

SHEET:
1 OF 1



ALL DIMENSIONS ARE IN INCHES AND MILLIMETERS

UNITS	A	B	D -.06	E	2E ±.03	G	H +.05	J	O	P ²
IN	14.00	13.00	7.00	5.50	11.00	1.00	.53	2.88	14.31	14.59
MM	356	330	178	140	279	25	14	73	363	371

UNITS	T	W	AA	AB	AC	AF	BA	BS	EV
IN	2.03	.38	1 1/2 NPT	12.00	9.16	2.63	4.75	5.50	1.00
MM	52	10		305	233	67	121	140	25

FRAME	UNITS	C	N	U -.001	V MIN	ES MIN	SQ KEY
284, 286T	IN	27.56	5.00	1.875	4.38	3.28	.500
	MM	70	127	47.63	111	83	12.70
284, 286TS	IN	26.19	3.63	1.625	3.00	1.91	.375
	MM	665	92	41.28	76	48	9.53

FRAME	UNITS	2F ±.03
284T, TS	IN	9.50
	MM	241
286T, TS	IN	11.00
	MM	279

1. DIMENSIONS MAY VARY BY .25" (6 mm) DUE TO CASTING AND/OR FABRICATION VARIATIONS.
2. LARGEST MOTOR WIDTH.
3. TOLERANCES ARE IN INCHES ONLY.

4. CONDUIT BOX MAY BE LOCATED ON EITHER SIDE OF MOTOR. CONDUIT OPENING MAY BE LOCATED IN STEPS OF 90 DEGREES REGARDLESS OF LOCATION. STANDARD AS SHOWN WITH CONDUIT OPENING DOWN.

07-2775/D

Nidec Motor Corporation
St. Louis, Missouri

INFORMATION DISCLOSED ON THIS DOCUMENT IS CONSIDERED PROPRIETARY AND SHALL NOT BE REPRODUCED OR DISCLOSED WITHOUT WRITTEN CONSENT OF NIDEC MOTOR CORPORATION



ISSUED BY
K. FRIEDMAN
APPROVED BY
J. O'BRIEN

IHP_DP_NMCA (MAR-2011) SOLIDEDGE