

EFFECTIVE:
10-SEP-18

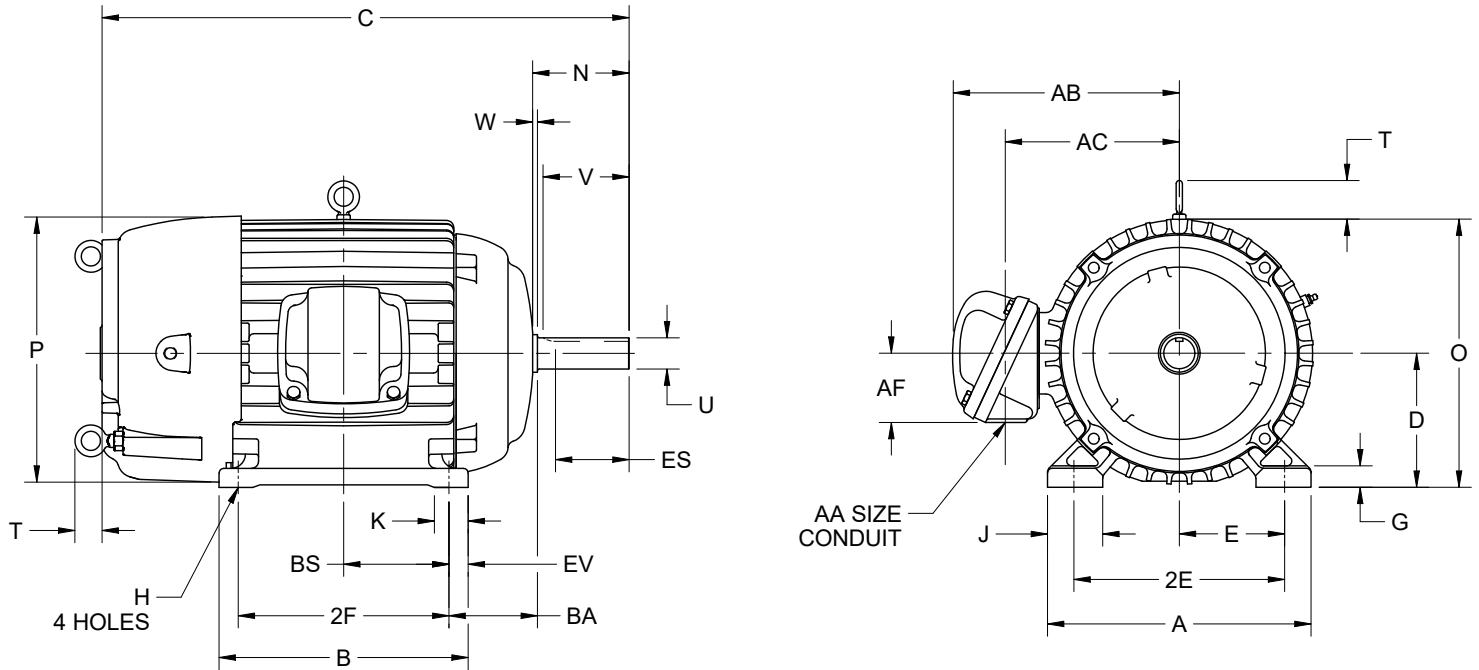
DIMENSION PRINT

PRINT:
07-2779-09

SUPERSEDES:
NEW

HLL & VLL
FRAME: 280T, TS
BASIC TYPE: CE

SHEET:
1 OF 1



ALL DIMENSIONS ARE IN INCHES AND MILLIMETERS

UNITS	A	B	D -.06	E	2E ±.03	G	H +.05	J	K	O	P ²	T
IN	14.00	13.00	7.00	5.50	11.00	1.00	.53	2.88	3.13	14.16	14.31	2.03
MM	356	330	178	140	279	25	13	73	80	360	364	52

UNITS	W	AA	AB	AC	AF	BA	BS	EV
IN	.38	2 NPT	13.19	9.69	3.25	4.75	5.50	1.00
MM	10		335	246	83	121	140	25

FRAME	UNITS	C	N	U -.001	V MIN	ES MIN	SQ KEY
284, 286T	IN	27.66	5.00	1.875	4.38	3.28	.500
	MM	703	127	47.63	111	83	12.70
284, 286TS	IN	26.28	3.63	1.625	3.00	1.91	.375
	MM	668	92	41.28	76	48	9.53

FRAME	UNITS	2F ±.03
284T, TS	IN	9.50
	MM	241
286T, TS	IN	11.00
	MM	279

1. ALL ROUGH CASTING DIMENSIONS MAY VARY BY .25" DUE TO CASTING AND/OR FABRICATION VARIATIONS.
2. LARGEST MOTOR WIDTH.
3. TOLERANCES SHOWN ARE IN INCHES ONLY.

4. STANDARD ASSEMBLY POSITION F-1 IS SHOWN F-2 IS PROVIDED WHEN SPECIFIED. CONDUIT OPENINGS MAY BE LOCATED IN STEPS OF 90 DEGREES REGARDLESS OF LOCATION. STANDARD AS SHOWN WITH CONDUIT OPENING DOWN.

Nidec Motor Corporation
St. Louis, Missouri

INFORMATION DISCLOSED ON THIS DOCUMENT IS CONSIDERED PROPRIETARY AND SHALL NOT BE REPRODUCED OR DISCLOSED WITHOUT WRITTEN CONSENT OF NIDEC MOTOR CORPORATION



ISSUED BY
I. GONZALEZ
APPROVED BY
A. ALCARAZ