

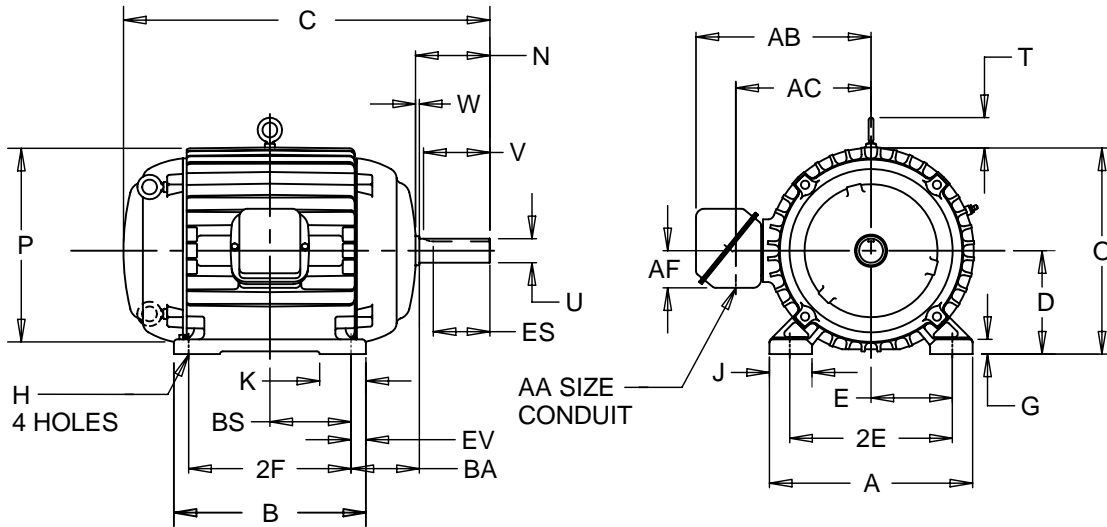
EFFECTIVE:
18-MAY-11

SUPERSEDES:
14-MAR-11

HORIZONTAL MOTORS
VERTICAL LIFTING
FRAME: 284, 286T
BASIC TYPE: CTN

PRINT:
07-2780

SHEET:
1 OF 1



ALL DIMENSIONS ARE IN INCHES AND MILLIMETERS

UNITS	A	B	C	D -.06	E	2E ±.03	G	H +.05	J	N
IN	13.75	13.00	24.75	7.00	5.50	11.00	1.00	.53	2.88	5.06
MM	349	330	629	178	140	279	25	14	73	129

UNITS	O	P ²	T	U -.001	V MIN	W	AA	AB	AC	AF	BA
IN	14.00	14.00	2.03	1.875	4.38	.38	2.00	13.00	9.63	3.25	4.75
MM	356	356	52	47.63	111	10		330	245	83	121

UNITS	BS	ES MIN	EV	SQ KEY
IN	5.50	3.28	1.00	.500
MM	140	83	25	12.70

FRAME	UNITS	2F ±.03
284T	IN	9.50
	MM	241
286T	IN	11.00
	MM	279

1: ALL ROUGH CASTING DIMENSIONS MAY VARY BY .25" DUE TO CASTING AND/OR FABRICATION VARIATIONS.
2: LARGEST MOTOR WIDTH.
3: TOLERANCES SHOWN ARE IN INCHES ONLY.

4: STANDARD ASSEMBLY POSITION F-1 IS SHOWN F-2 IS PROVIDED WHEN SPECIFIED. CONDUIT OPENINGS MAY BE LOCATED IN STEPS OF 90 DEGREES REGARDLESS OF LOCATION. STANDARD AS SHOWN WITH CONDUIT OPENING DOWN.

07-2780/B

Nidec Motor Corporation
St. Louis, Missouri

INFORMATION DISCLOSED ON THIS DOCUMENT IS CONSIDERED PROPRIETARY AND SHALL NOT BE REPRODUCED OR DISCLOSED WITHOUT WRITTEN CONSENT OF NIDEC MOTOR CORPORATION



ISSUED BY
R.KING
APPROVED BY
J. HAGENE

IHP_DP_NMCA (MAR-2011) SOLIDEDGE