

EFFECTIVE:
13-JUN-11

HORIZONTAL MOTORS

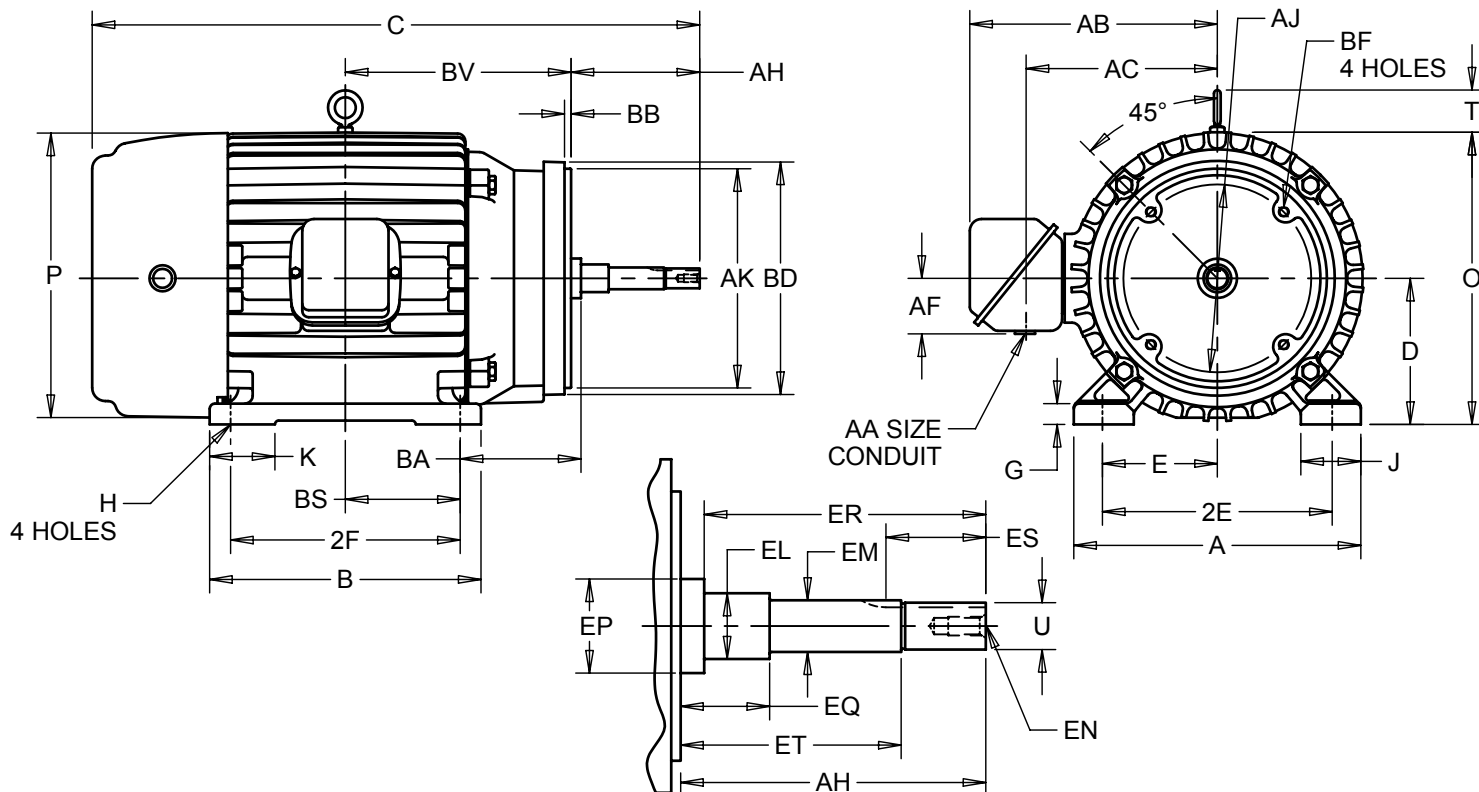
CLOSED COUPLED PUMP

FRAME: 284, 286JM
BASIC TYPE: CT-4

PRINT:
07-2783

SUPERSEDES:
16-FEB-09

SHEET:
1 OF 1



ALL DIMENSIONS ARE IN INCHES AND MILLIMETERS

UNITS	A	B	C	D -.06	E	2E ±.03	G	H +.05	J	O	P ²
IN	13.75	13.00	27.88	7.00	5.50	11.00	1.00	.53	2.88	14.28	14.50
MM	349	330	708	178	140	279	25	13	73	363	368

UNITS	T	U -.0005	AA	AB	AC	AF	AH ±.031	AJ	AK -.005	BA	BB MIN	BD MAX
IN	2.06	1.2495	2.00	13.07	9.69	3.25	5.250	11.000	12.500	4.75	.31	14.00
MM	52	31.737		332	246	83	133.35	279.40	317.50	121	8	356

UNITS	BF	BV	EL -.002	EM -.0005	EN	EP MIN	EQ ±.020	ER MIN	ES MIN	ET ±.020	EV	SQ KEY
IN	5/8-11 X .94	10.50	1.750	1.3750	1/2-13 X 1.00	2.13	.625	5.25	2.53	3.000	1.00	.250
MM		267	44.45	34.925		54	15.88	133	64	76.20	25	6.35

FRAME	UNITS	2F ±.03
284 JM	IN	9.50
	MM	241
286 JM	IN	11.00
	MM	279

TOLERANCES	
FACE RUNOUT	.007 T.I.R.
PERMISSIBLE ECCENTRICITY OF MOUNTING RABBET	.007 T.I.R.
PERMISSIBLE SHAFT RUNOUT	.003 T.I.R.

- 1: ALL ROUGH CASTING DIMENSIONS MAY VARY BY .25" DUE TO CASTING AND/OR FABRICATION VARIATIONS.
- 2: LARGEST MOTOR WIDTH.
- 3: TOLERANCES SHOWN ARE IN INCHES ONLY.

- 4: STANDARD ASSEMBLY POSITION F-1 IS SHOWN F-2 IS PROVIDED WHEN SPECIFIED. CONDUIT OPENINGS MAY BE LOCATED IN STEPS OF 90° REGARDLESS OF LOCATION. STANDARD AS SHOWN WITH CONDUIT OPENING DOWN.
- 5: ALL TAPPED HOLES ARE UNIFIED NATIONAL COARSE, RIGHT HAND THREAD.
- 6: TAP SIZE AND BOLT PENETRATION ALLOWANCE.

07-2783/A

Nidec Motor Corporation
St. Louis, Missouri

INFORMATION DISCLOSED ON THIS DOCUMENT IS CONSIDERED PROPRIETARY AND SHALL NOT BE REPRODUCED OR DISCLOSED WITHOUT WRITTEN CONSENT OF NIDEC MOTOR CORPORATION



ISSUED BY
M. CHAUDHARI
APPROVED BY
R. KING

IHP_DP_NMCA (MAR-2011) SOLIDEDGE