

EFFECTIVE:
07-MAY-12

SUPERSEDES:
10-MAR-11

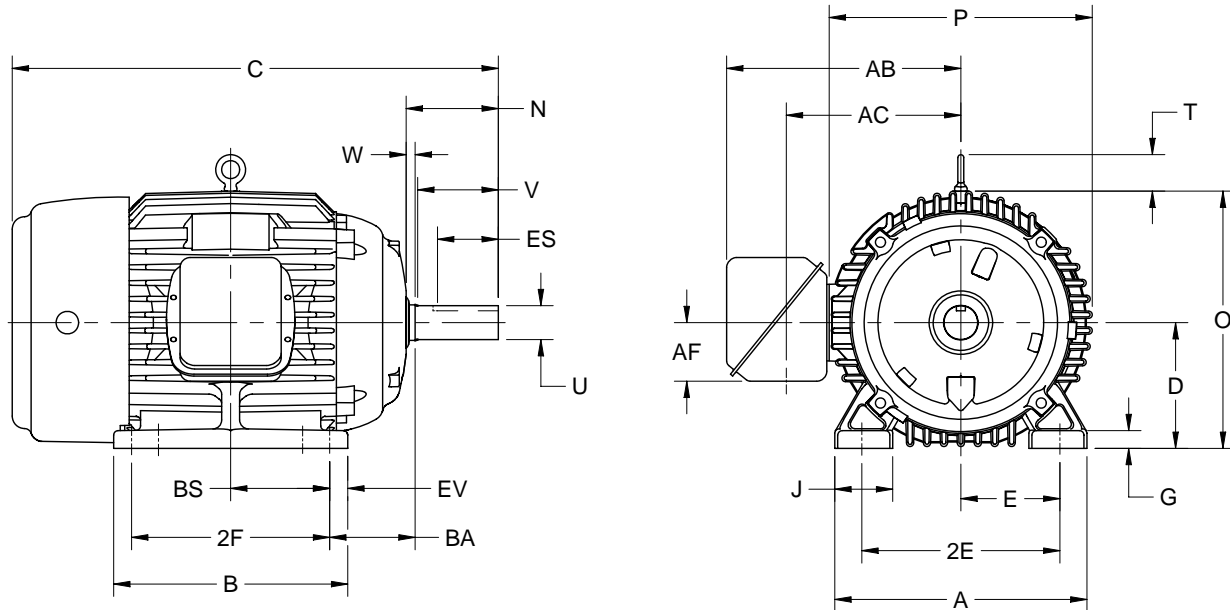
HORIZONTAL MOTORS

TOTALLY ENCLOSED FAN COOLED

FRAME: 280TS
BASIC TYPE: CT

PRINT:
07-2787

SHEET:
1 OF 1



ALL DIMENSIONS ARE IN INCHES AND MILLIMETERS

| | A | B | C | D -.06 | E | 2E ±.03 | G | H +.05 | J |
|----|-------|-------|-------|-----------|------|------------|------|-----------|------|
| IN | 14.00 | 13.00 | 25.75 | 7.00 | 5.50 | 11.00 | 1.00 | .53 | 3.25 |
| MM | 356 | 330 | 654 | 178 | 140 | 279 | 25 | 14 | 83 |

| | N | O | P ² | T | U -.001 | V MIN | W | AA | AB |
|----|------|-------|----------------|------|------------|----------|-----|------|-------|
| IN | 3.75 | 14.31 | 14.63 | 2.06 | 1.625 | 3.00 | .50 | 2.00 | 13.00 |
| MM | 95 | 363 | 372 | 52 | 41.28 | 76 | 13 | | 330 |

| | AC | AF | BA | BS | ES MIN | EV | SQ KEY |
|----|------|------|------|------|-----------|------|-----------|
| IN | 9.69 | 3.25 | 4.75 | 5.50 | 1.91 | 1.00 | .375 |
| MM | 246 | 83 | 121 | 140 | 49 | 25 | 9.53 |

| | FRAME | 2F ±.03 |
|----|-------|------------|
| IN | 284TS | 9.50 |
| MM | | 241 |
| IN | 286TS | 11.00 |
| MM | | 279 |

1. DIMENSIONS MAY VARY BY .25" DUE TO CASTING AND/OR FABRICATION VARIATIONS.
2. LARGEST MOTOR WIDTH.
3. TOLERANCES SHOWN ARE IN INCHES ONLY.

4. CONDUIT BOX MAY BE LOCATED ON EITHER SIDE OF MOTOR CONDUIT OPENINGS MAY BE LOCATED IN STEPS OF 90 DEGREES REGARDLESS OF LOCATION. STANDARD AS SHOWN WITH CONDUIT OPENING DOWN.

07-2787/B

Nidec Motor Corporation
St. Louis, Missouri

INFORMATION DISCLOSED ON THIS DOCUMENT IS CONSIDERED PROPRIETARY AND SHALL NOT BE REPRODUCED OR DISCLOSED WITHOUT WRITTEN CONSENT OF NIDEC MOTOR CORPORATION



ISSUED BY
R. KING
APPROVED BY
J. O'BRIEN

IHP_DP_NMCA (MAR-2011) SOLIDEDGE