

EFFECTIVE:
25-FEB-11

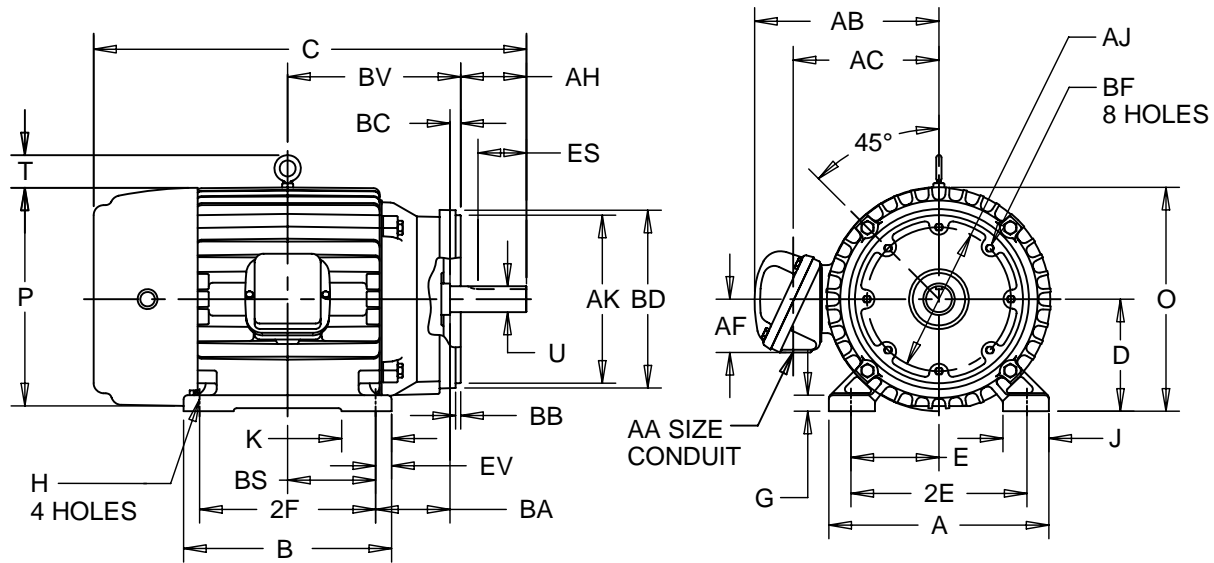
SUPERSEDES:
13-FEB-09

HORIZONTAL MOTORS

WITH NEMA "C" BRACKET
FRAME: 284, 286 TC, TSC
BASIC TYPE: L, N, LC, NC

PRINT:
07-2788

SHEET:
1 OF 1



ALL DIMENSIONS ARE IN INCHES AND MILLIMETERS

UNITS	A	B	D -.06	E	2E ±.03	G	H +.05	J	O	P ⁵
IN	14.00	13.00	7.00	5.50	11.00	1.00	.53	2.88	14.28	14.59
MM	356	330	178	140	279	25	13	73	363	371

UNITS	T	AA	AB	AC	AF	AJ	AK	BA	BB	BC	BD MAX
IN	2.03	2.00 NPT	13.19	9.69	3.88	9.000	10.500	4.75	.25	.25	11.25
MM	52		335	246	99	228.60	266.70	121	6	6	286

UNITS	BF ²	BS	BV	EV
IN	1/2-13 X .75	5.50	10.50	1.00
MM		140	267	25

FRAME	UNITS	C	U -.001	AH	ES MIN	SQ KEY
284,286 TC	IN	27.88	1.875	4.38	3.28	.500
	MM	708	47.63	111	83	12.70
284,286 TSC	IN	26.50	1.625	3.00	1.91	.375
	MM	676	41.28	76	49	9.53

FRAME	UNITS	2F ±.03
284TC, TSC	IN	9.50
	MM	241
286TC, TSC	IN	11.00
	MM	279

- 1: ALL ROUGH DIMENSIONS MAY VARY BY .25" DUE TO CASTING AND/OR FABRICATION VARIATIONS.
- 2: TAP SIZE AND BOLT PENETRATION ALLOWANCE.
- 3: ALL TAPPED HOLES ARE UNIFIED NATIONAL COARSE, RIGHT HAND THREAD.
- 4: CONDUIT BOX MAY BE LOCATED ON EITHER SIDE OF MOTOR. CONDUIT OPENINGS MAY BE LOCATED IN STEPS OF 90 DEGREES REGARDLESS OF LOCATION. STANDARD AS SHOWN WITH CONDUIT OPENING DOWN.
- 5: LARGEST MOTOR WIDTH.
- 6: TOLERANCES SHOWN ARE IN INCHES ONLY.

TOLERANCES	10.500 AK
FACE RUNOUT	.004 T.I.R.
PERMISSIBLE ECCENTRICITY OF MOUNTING RABBET	.004 T.I.R.
PERMISSIBLE SHAFT RUNOUT	.002 T.I.R.
TOLERANCE ON "AK" DIMENSION	- .003

07-2788/A

Nidec Motor Corporation
St. Louis, Missouri

INFORMATION DISCLOSED ON THIS DOCUMENT IS CONSIDERED PROPRIETARY AND SHALL NOT BE REPRODUCED OR DISCLOSED WITHOUT WRITTEN CONSENT OF NIDEC MOTOR CORPORATION



ECO 46369-00

ISSUED BY
L. CUESTA
APPROVED BY
N. ACOSTA

IHP_DP_NMCA (MAR-2011) SOLIDEDGE