

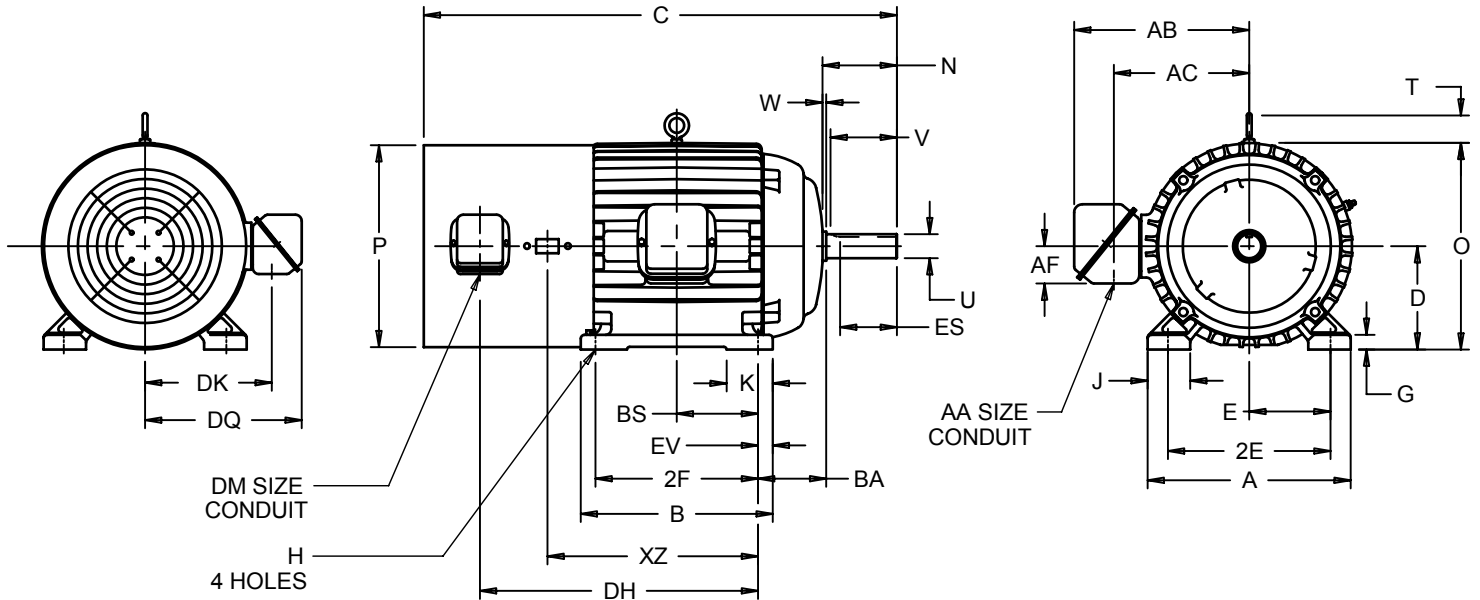
EFFECTIVE:  
**13-JUN-11**

SUPERSEDES:  
**01-APR-09**

**HORIZONTAL MOTORS**  
VECTOR CONTROL  
FRAME: 182, 184T  
BASIC TYPE: CTI

PRINT:  
**07-2796**

SHEET:  
**1 OF 1**



ALL DIMENSIONS ARE IN INCHES AND MILLIMETERS

UNITS	A	B	C	D	E	2E	G	H	J	N
IN	8.88	6.75	23.25	4.50	3.75	7.50	.50	.41	1.50	2.94
MM	226	171	591	114	95	191	13	10	38	75

UNITS	O	P <sup>2</sup>	T	U	V	W	AA	AB	AC	AF	BA
IN	9.25	9.13	2.06	1.1250	2.56	.19	.75 NPT	8.00	5.75	2.00	2.75
MM	235	232	52	28.575	65	5		203	146	51	70

UNITS	BS	DH	DK	DM	DQ	ES	EV	XZ	SQ
IN	2.75	15.38	5.88	.75 NPT	7.38	1.75	.63	10.38	.250
MM	70	391	149		187	44	16	264	6.35

FRAME	UNITS	2F
182T	IN	4.50
	MM	114
184T	IN	5.50
	MM	140

- 1: ALL ROUGH CASTING DIMENSIONS MAY VARY BY .25" DUE TO CASTING AND/OR FABRICATION VARIATIONS.
- 2: LARGEST MOTOR WIDTH.
- 3: TOLERANCES SHOWN ARE IN INCHES ONLY.
- 4: STANDARD ASSEMBLY POSITION F-1 IS SHOWN F-2 IS PROVIDED WHEN SPECIFIED. CONDUIT OPENINGS MAY BE LOCATED IN STEPS OF 90° REGARDLESS OF LOCATION. STANDARD AS SHOWN WITH CONDUIT OPENING DOWN.

07-2796/A

**Nidec Motor Corporation**  
St. Louis, Missouri

INFORMATION DISCLOSED ON THIS DOCUMENT IS CONSIDERED PROPRIETARY AND SHALL NOT BE REPRODUCED OR DISCLOSED WITHOUT WRITTEN CONSENT OF NIDEC MOTOR CORPORATION



ISSUED BY  
**D. MISAL**  
APPROVED BY  
**R. KING**

IHP\_DP\_NMCA (MAR-2011) SOLIDEDGE