

EFFECTIVE:  
**13-JUN-11**

# HORIZONTAL MOTORS

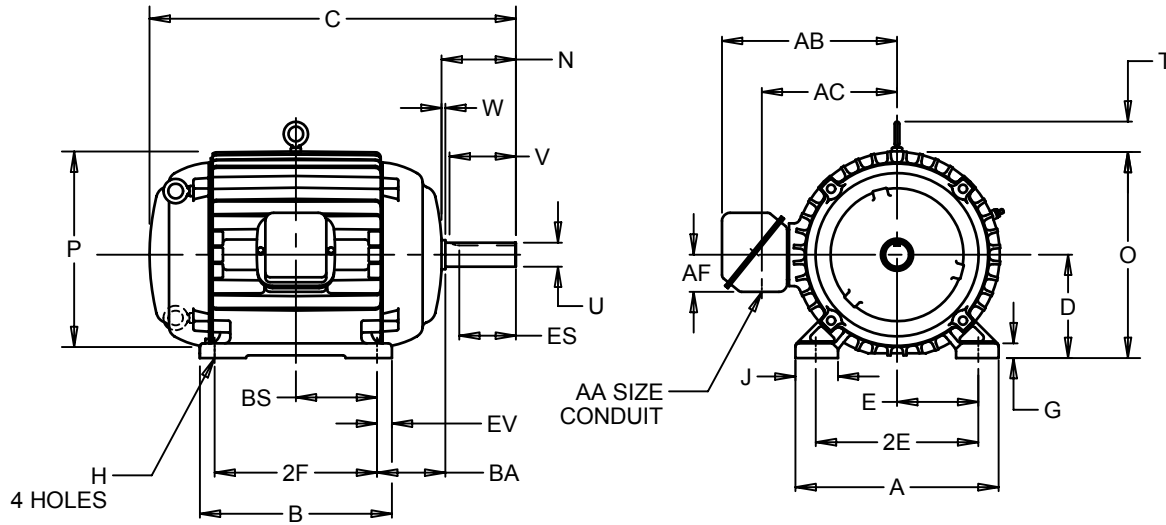
TEAO

PRINT:  
**07-2806**

SUPERSEDES:  
**03-APR-09**

FRAME: 182, 184 T  
BASIC TYPE: CTN

SHEET:  
**1 OF 1**



ALL DIMENSIONS ARE IN INCHES AND MILLIMETERS

UNITS	A	B	C	D	E	2E	G	H	J	N	O
IN	8.88	6.75	13.69	4.50	3.75	7.50	.50	.41	1.50	2.91	9.22
MM	226	171	348	114	95	191	13	10	38	74	234

UNITS	P <sup>2</sup>	T	U	V	W	AA	AB	AC	AF	BA
IN	9.13	1.75	1.1250	2.50	.16	.75	8.16	5.84	2.00	2.75
MM	232	44	28.575	64	4		207	148	51	70

UNITS	BS	ES	EV	SQ	KEY
IN	2.75	1.78	.625	.250	
MM	70	45	15.88	6.35	

FRAME	UNITS	2F
182T	IN	4.50
	MM	114
184T	IN	5.50
	MM	140

- 1: ALL ROUGH DIMENSIONS MAY VARY .25" DUE TO CASTING AND/OR FABRICATION VARIATIONS.
- 2: LARGEST MOTOR WIDTH.
- 3: TOLERANCES SHOWN ARE IN INCHES ONLY.
- 4: STANDARD ASSEMBLY POSITION F-1 IS SHOWN F-2 IS PROVIDED WHEN SPECIFIED. CONDUIT OPENINGS MAY BE LOCATED IN STEPS OF 90° REGARDLESS OF LOCATION. STANDARD AS SHOWN WITH CONDUIT OPENING DOWN

07-2806/A

**Nidec Motor Corporation**  
St. Louis, Missouri

INFORMATION DISCLOSED ON THIS DOCUMENT IS CONSIDERED PROPRIETARY AND SHALL NOT BE REPRODUCED OR DISCLOSED WITHOUT WRITTEN CONSENT OF NIDEC MOTOR CORPORATION



ISSUED BY  
**A. HINGANKAR**  
APPROVED BY  
**R. KING**

IHP\_DP\_NMCA (MAR-2011) SOLIDEDGE