

EFFECTIVE:
06-MAY-11

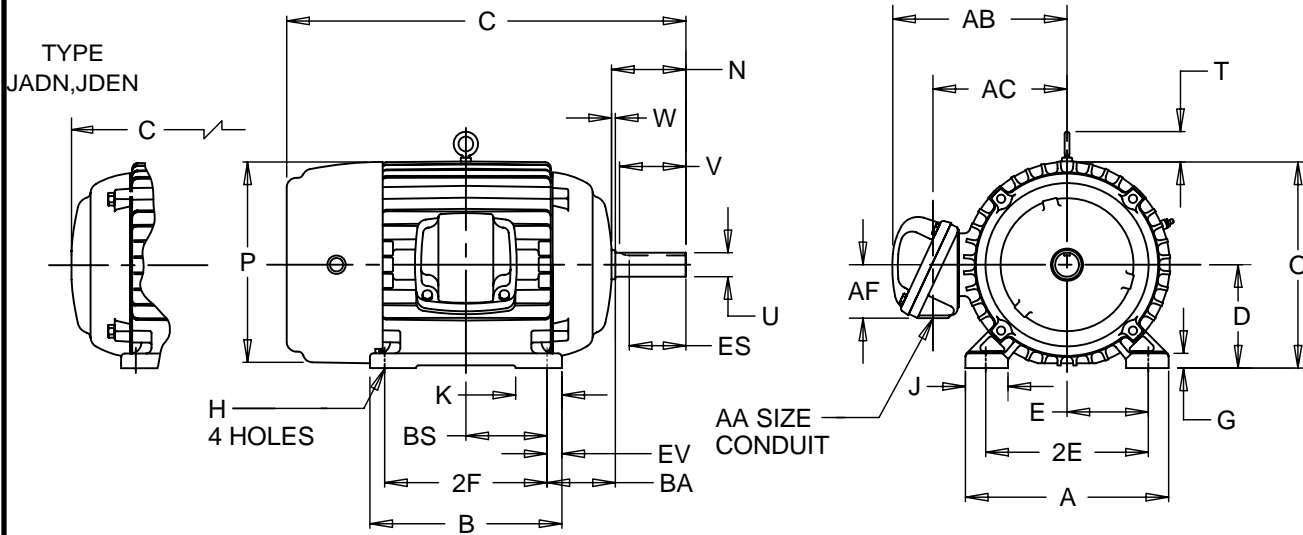
HORIZONTAL MOTORS

PRINT:
07-2813

SUPERSEDES:
02-APR-09

FRAME: 182, 184
BASIC TYPE: JAD, JDE

SHEET:
1 OF 1



ALL DIMENSIONS ARE IN INCHES AND MILLIMETERS

UNITS	A	B	D -.06	E	2E ±.03	G	H +.05	J	N
IN	8.88	6.75	4.50	3.75	7.50	.63	.41	1.56	2.50
MM	226	171	114	95	191	16	10	40	64

UNITS	O	T	U -.0005	V MIN	W	AA	AB	AC	AF
IN	9.38	2.03	.8750	2.00	.25	3/4 NPT	8.06	5.75	2.13
MM	238	52	22.225	51	6		205	146	54

UNITS	BA	BS	ES MIN	EV	SQ KEY
IN	2.75	2.75	1.53	.63	.188
MM	70	70	39	16	4.78

FRAME	UNITS	C	P ²
180 JAD, JDE	IN	15.00	9.13
	MM	381	232
180 JADN, JDEN	IN	13.09	9.00
	MM	333	229

FRAME	UNITS	2F ±.03
182	IN	4.50
	MM	114
184	IN	5.50
	MM	140

1: ALL ROUGH CASTING DIMENSIONS MAY VARY BY .25" DUE TO CASTING AND/OR FABRICATION VARIATIONS.
2: LARGEST MOTOR WIDTH.
3: TOLERANCES SHOWN ARE IN INCHES ONLY.

4: STANDARD ASSEMBLY POSITION F-1 IS SHOWN F-2 IS PROVIDED WHEN SPECIFIED. CONDUIT OPENINGS MAY BE LOCATED IN STEPS OF 90 DEGREES REGARDLESS OF LOCATION. STANDARD AS SHOWN WITH CONDUIT OPENING DOWN.

07-2813/A

Nidec Motor Corporation
St. Louis, Missouri

INFORMATION DISCLOSED ON THIS DOCUMENT IS CONSIDERED PROPRIETARY AND SHALL NOT BE REPRODUCED OR DISCLOSED WITHOUT WRITTEN CONSENT OF NIDEC MOTOR CORPORATION



ISSUED BY **ECO 46385-00**
R. KING
APPROVED BY
K. POTTER

IHP_DP_NMCA (MAR-2011) SOLIDEDGE