

EFFECTIVE:
12-MAR-21

HORIZONTAL MOTORS

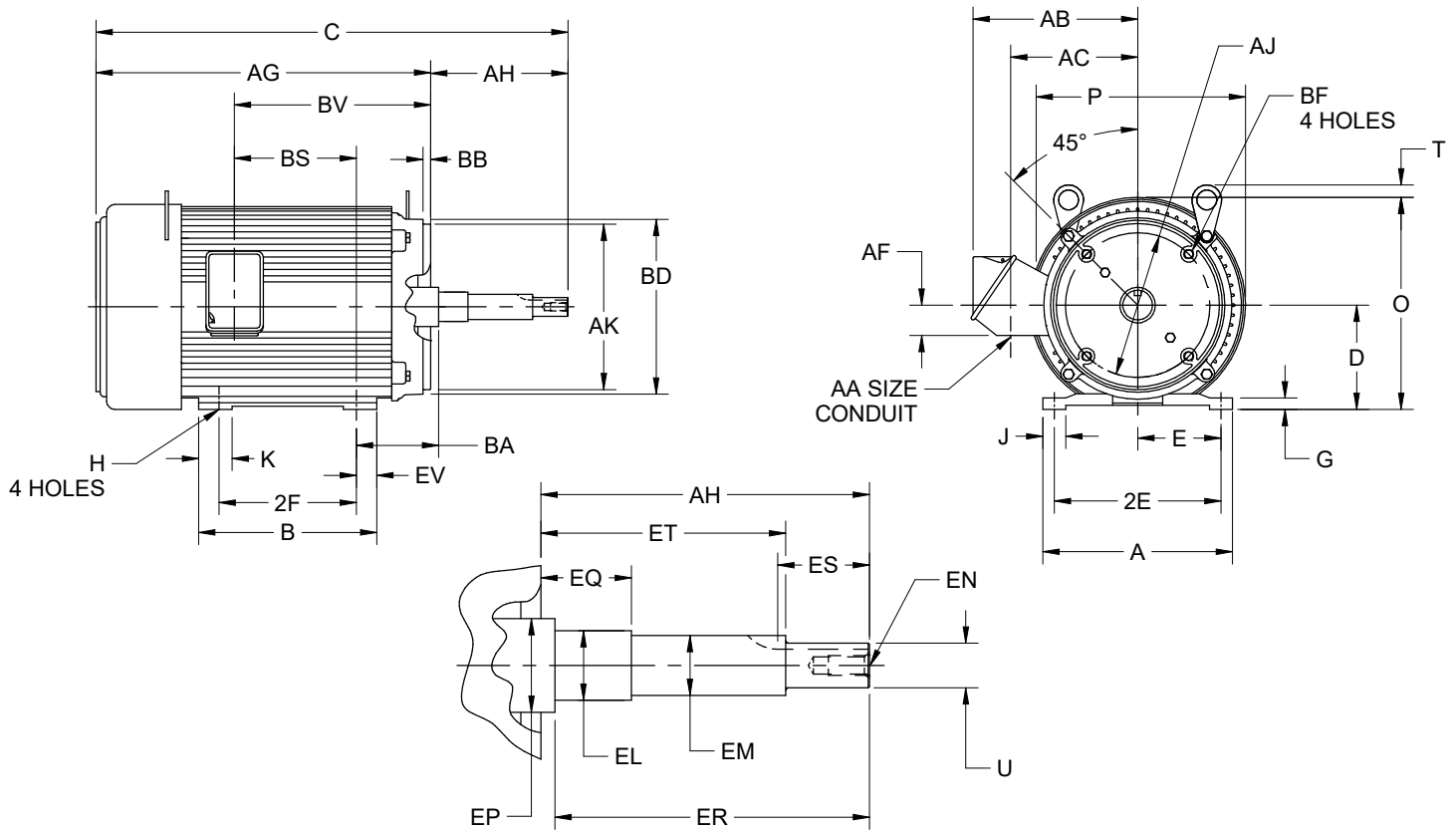
UNIMOUNT CLOSE-COUPLED PUMP

PRINT:
07-2830

SUPERSEDES:
02-FEB-16

FRAME: A284JP - A286JP
BASIC TYPE: UT-1

SHEET:
1 OF 1



ALL DIMENSIONS ARE IN INCHES AND MILLIMETERS

UNITS	A	C	D -.06	E	2E ±.03	G	H +.05	J	K	O	P ²	T
IN	12.88	32.00	7.00	5.50	11.00	.70	.53	1.88	2.63	13.69	13.38	0
MM	327	813	178	140	279	18	13	48	67	348	340	0

UNITS	U -.0005	AA	AB	AC	AF	AG	AH ±.031	AJ	AK -.003	BA	BB -.062	BD MAX
IN	1.2495	1.50	10.81	8.25	2.13	23.88	8.125	11.000	12.500	4.50	.313	14.00
MM	31.737		275	210	54	607	206.38	279.40	317.50	114	7.95	356

UNITS	BF ⁷	BS	BV	EL -.002	EM -.0005	EN ⁷	EP MIN	EQ ±.015	ER MIN	ES MIN	ET ±.015	EV
IN	5/8-11 X .94	10.63	15.63	1.750	1.3750	1/2-13 X 1.00	2.13	2.375	8.13	2.53	5.875	1.38
MM		270	397	44.45	34.925		54	60.33	207	64	149.23	35

UNITS	SQ KEY
IN	.250
MM	6.35

FRAME	UNITS	B	2F ±.03
A284JP	IN	12.25	9.50
	MM	311	241
A286JP	IN	13.75	11.00
	MM	349	279

TOLERANCES	
FACE RUNOUT	.006 T.I.R.
PERMISSIBLE ECCENTRICITY OF MOUNTING RABBET	.006 T.I.R.
PERMISSIBLE SHAFT RUNOUT	.003 T.I.R.

- ALL ROUGH CASTING DIMENSIONS MAY VARY BY .25" DUE TO CASTING AND/OR FABRICATION VARIATIONS.
- LARGEST MOTOR WIDTH.
- FRAME REFERENCE: 16.250"/284/286

- CONDUIT BOX MAY BE LOCATED ON EITHER SIDE OF MOTOR. CONDUIT OPENINGS MAY BE LOCATED IN STEPS OF 180 DEGREES REGARDLESS OF LOCATION. STANDARD AS SHOWN WITH CONDUIT OPENING DOWN.
- TOLERANCES SHOWN ARE IN INCHES ONLY.
- ALL TAPPED HOLES ARE UNIFIED NATIONAL COARSE, RIGHT HAND THREAD.
- TAP SIZE AND BOLT PENETRATION ALLOWANCE.

07-2830/C

Nidec Motor Corporation
St. Louis, Missouri

INFORMATION DISCLOSED ON THIS DOCUMENT IS CONSIDERED PROPRIETARY AND SHALL NOT BE REPRODUCED OR DISCLOSED WITHOUT WRITTEN CONSENT OF NIDEC MOTOR CORPORATION



ISSUED BY
D. CAMACHO
APPROVED BY
D. CORTES

IHP_DP_NMCA (MAR-2011) SOLIDEDGE