

EFFECTIVE:
15-JUN-11

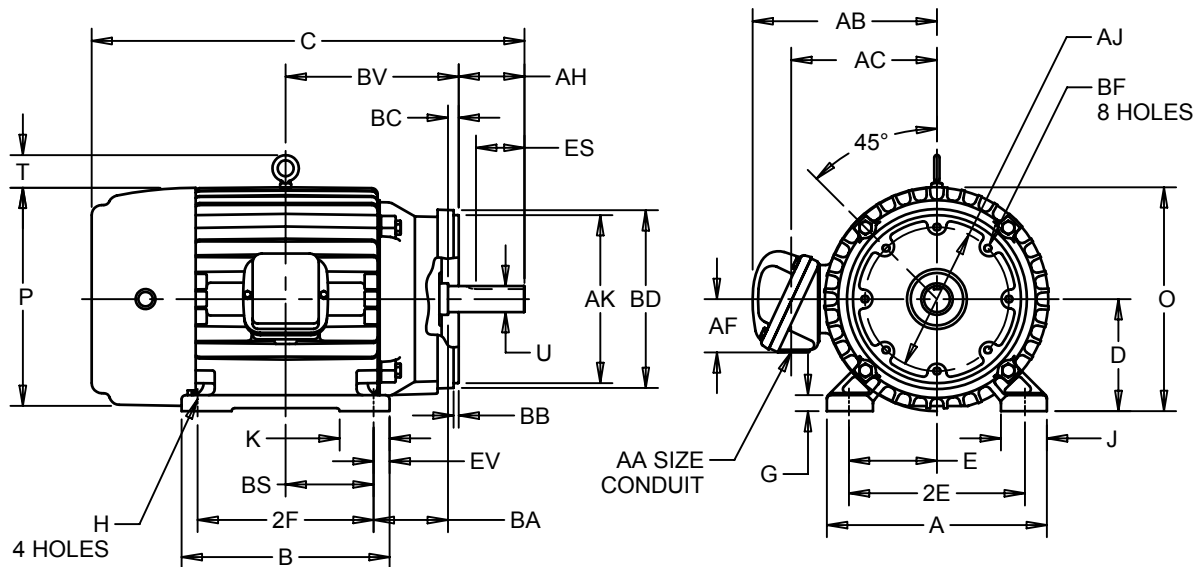
SUPERSEDES:
25-MAY-09

HORIZONTAL MOTORS WITH NEMA "C" BRACKET

FRAME: 254, 256TC
BASIC TYPE: CE, TC

PRINT:
07-2842

SHEET:
1 OF 1



ALL DIMENSIONS ARE IN INCHES AND MILLIMETERS

UNITS	A	B	C	D	E	2E	G	H	J	O	P ⁵
IN	12.13	12.00	26.50	6.25	5.00	10.00	.88	.53	2.25	12.94	13.38
MM	308	305	673	159	127	254	22	13	57	329	340

UNITS	T	U	AA	AB	AC	AF	AH	AJ	AK	BA
IN	2.03	1.625	1.50 NPT	11.56	8.56	2.63	3.75	7.250	8.50	4.75
MM	52	41.28		294	216	67	95	184	216	121

UNITS	BB	BC	BD MAX	BS	BF ²	BV	ES MIN	EV	SQ KEY
IN	.25	.25	10.00	5.00	1/2-13 X .75	10.00	2.91	1.00	.375
MM	6	6	254	127		254	74	25	10

FRAME	UNITS	2F ±.03
254TC	IN	8.25
	MM	210
256TC	IN	10.00
	MM	254

- 1: ALL ROUGH DIMENSIONS MAY VARY BY .25" DUE TO CASTING AND/OR FABRICATION VARIATIONS.
- 2: TAP SIZE AND BOLT PENETRATION ALLOWANCE.
- 3: ALL TAPPED HOLES ARE UNIFIED NATIONAL COARSE, RIGHT HAND THREAD.
- 4: CONDUIT BOX MAY BE LOCATED ON EITHER SIDE OF MOTOR. CONDUIT OPENINGS MAY BE LOCATED IN STEPS OF 90° REGARDLESS OF LOCATION. STANDARD AS SHOWN WITH CONDUIT OPENING DOWN.
- 5: LARGEST MOTOR WIDTH.
- 6: TOLERANCES SHOWN ARE IN INCHES ONLY.

TOLERANCES	
FACE RUNOUT	.004 T.I.R.
PERMISSIBLE ECCENTRICITY OF MOUNTING RABBET	.004 T.I.R.
PERMISSIBLE SHAFT RUNOUT	.002 T.I.R.
FOR IEEE841 SHAFT RUNOUT	.001 T.I.R.

07-2842/A

Nidec Motor Corporation
St. Louis, Missouri

INFORMATION DISCLOSED ON THIS DOCUMENT IS CONSIDERED PROPRIETARY AND SHALL NOT BE REPRODUCED OR DISCLOSED WITHOUT WRITTEN CONSENT OF NIDEC MOTOR CORPORATION



ISSUED BY
A. HINGANKAR
APPROVED BY
R. KING

IHP_DP_NMCA (MAR-2011) SOLIDEDGE