

EFFECTIVE:
27-APR-11

HORIZONTAL MOTORS

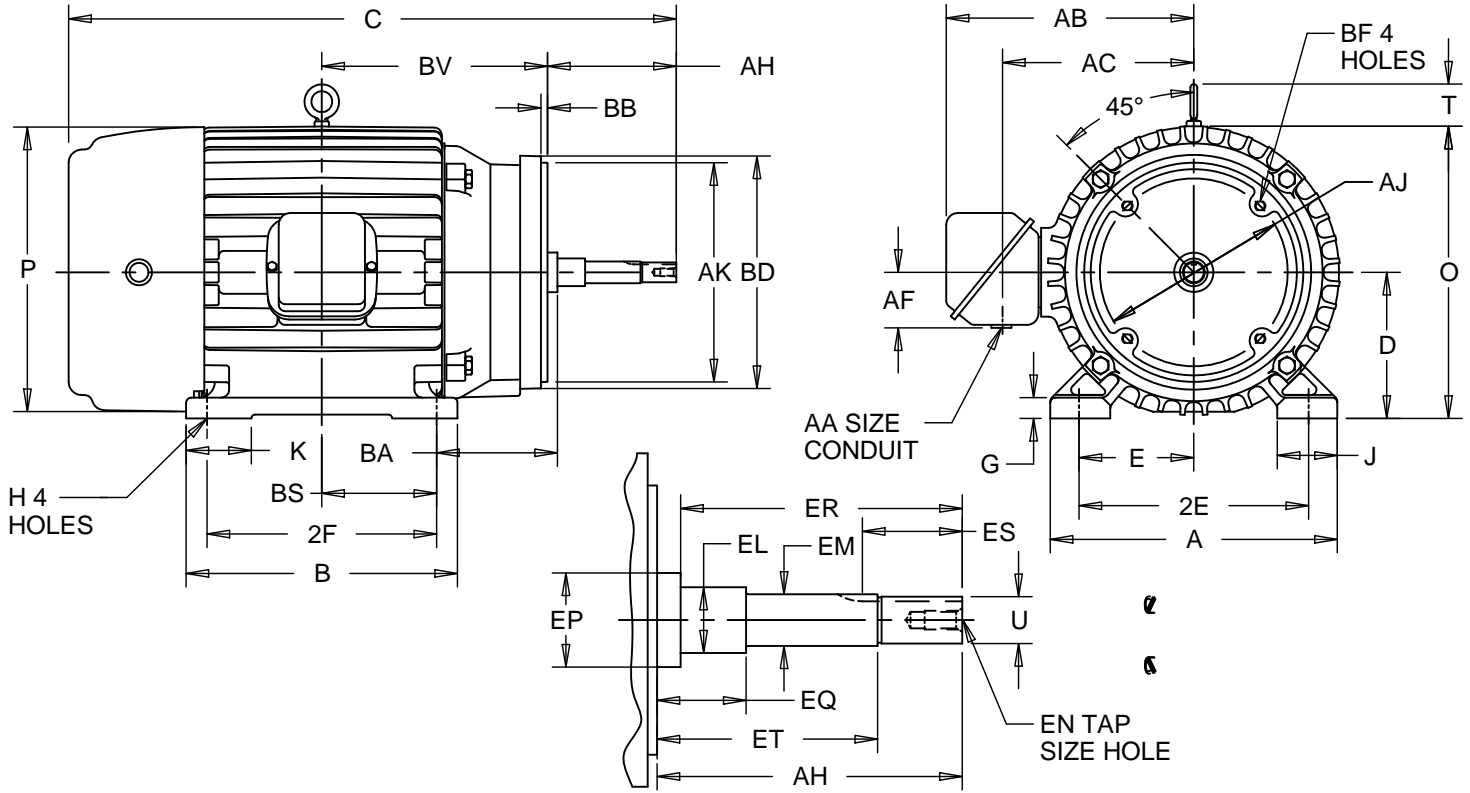
EXPLOSION PROOF - CLOSE COUPLED PUMP

PRINT:
07-2844

SUPERSEDES:
25-MAY-09

FRAME: 254, 256JM
BASIC TYPE: L-4

SHEET:
1 OF 1



ALL DIMENSIONS ARE IN INCHES AND MILLIMETERS

UNITS	A	B	C	D	E	2E	G	H	J	O	P ²	T
IN	12.13	12.00	27.63	6.25	5.00	10.00	.88	.53	2.25	12.94	13.38	2.06
MM	308	305	762	159	127	254	22	14	57	329	340	52

UNITS	U	AA	AB	AC	AF	AH	AJ	AK	BA	BB	BD	BF
IN	1.2500	1.50	11.07	8.22	3.13	5.25	7.25	8.50	4.75	.31	10.00	1/2-13 X .75
MM	31.750		281	209	80	133	184	216	121	8	254	

UNITS	BS	BV	EL	EM	EN	EP	EQ	ER	ES	ET	EV	SQ
IN	5.00	10.00	1.75	1.38	1/2-13 X 1	1.75	.63	5.25	2.53	3.00	1.00	.250
MM	127	254	45	35		45	16	133	64	76	25	6

FRAME	UNITS	2F
254JM	IN	8.25
	MM	210
256JM	IN	10.00
	MM	254

TOLERANCES	8.50 AK
FACE RUNOUT	.004 T.I.R.
PERMISSIBLE ECCENTRICITY OF MOUNTING RABBET	.004 T.I.R.
PERMISSIBLE SHAFT RUNOUT	.002 T.I.R.
TOLERANCE ON "AK" DIMENSION	-.003

1: ALL ROUGH CASTING DIMENSIONS MAY VARY BY .25" DUE TO CASTING AND/OR FABRICATION VARIATIONS.
2: LARGEST MOTOR WIDTH.
3: TOLERANCES SHOWN ARE IN INCHES ONLY.

4: STANDARD ASSEMBLY POSITION F-1 IS SHOWN F-2 IS PROVIDED WHEN SPECIFIED. CONDUIT OPENINGS MAY BE LOCATED IN STEPS OF 90 DEGREES REGARDLESS OF LOCATION. STANDARD AS SHOWN WITH CONDUIT OPENING DOWN.
5: ALL TAPPED HOLES ARE UNIFIED NATIONAL COARSE, RIGHT HAND THREAD.
6: TAP SIZE AND BOLT PENETRATION ALLOWANCE.

07-2844/A ECO 46368-00

Nidec Motor Corporation
St. Louis, Missouri

INFORMATION DISCLOSED ON THIS DOCUMENT IS CONSIDERED PROPRIETARY AND SHALL NOT BE REPRODUCED OR DISCLOSED WITHOUT WRITTEN CONSENT OF NIDEC MOTOR CORPORATION



ISSUED BY
L. CUESTA
APPROVED BY
E. LIZANA

IHP_DP_NMCA (MAR-2011) SOLIDEDGE