

EFFECTIVE:
05-APR-11

HORIZONTAL MOTORS

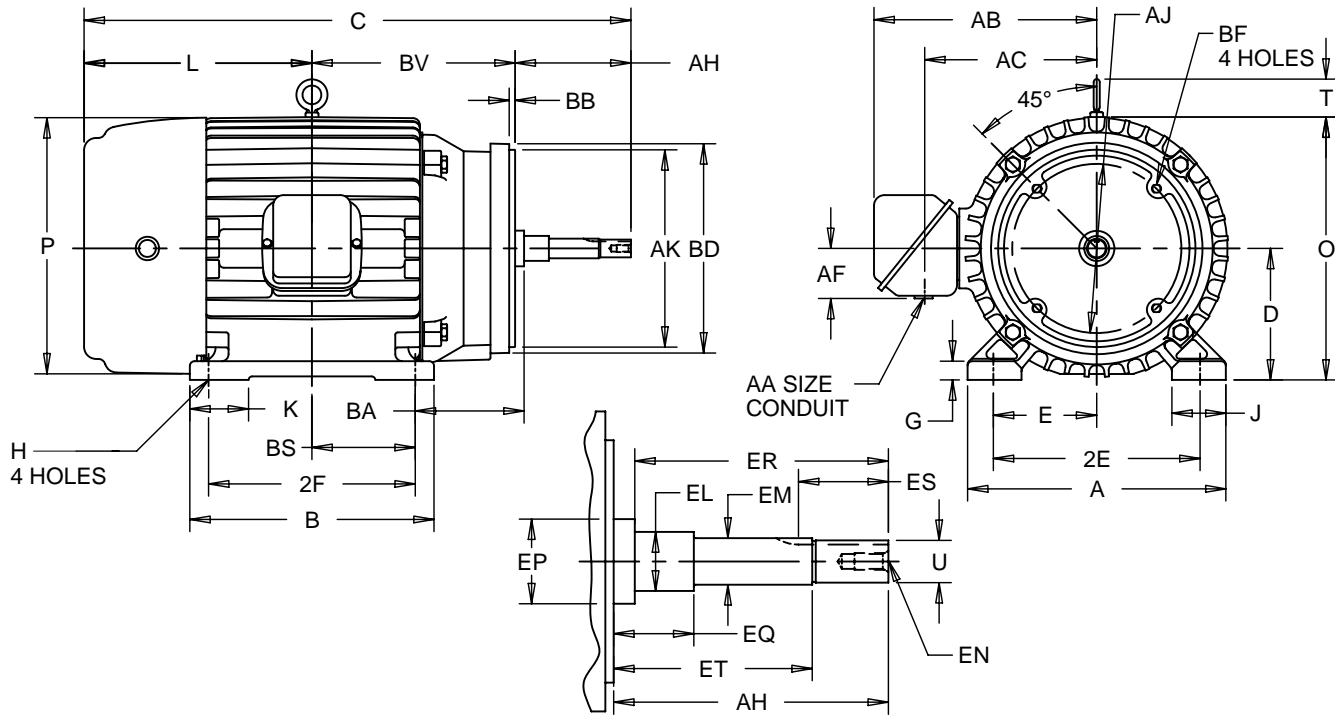
CLOSE-COUPLED PUMP

FRAME:182, 184 JP
BASIC TYPE: L-1 (EXPLOSION PROOF)

PRINT:
07-2848

SUPERSEDES:
22-MAY-09

SHEET:
1 OF 1



ALL DIMENSIONS ARE IN INCHES AND MILLIMETERS

UNITS	A	B	C	D	E	2E	G	H	J	K	L	O	P ²
IN	8.88	6.75	20.75	4.50	3.75	7.50	0.63	0.41	1.56	-	7.06	9.38	9.50
MM	225	172	527	114	95	191	16	10	40	-	179	238	241

UNITS	T	U	AA	AB	AC	AF	AH	AJ	AK	BA	BB	BD	BF
IN	1.75	.8750	3/4 NPT	7.63	5.75	2.25	7.313	5.875	4.500	5.19	0.16	6.63	3/8-16X .56
MM	45	22.225		194	146	57	185.75	149.23	114.00	132	4	168	

UNITS	BV	EL	EM	EN	EP	EQ	ER	ES	ET	EV	SQ
IN	6.38	1.250	1.0000	3/8-16X .75	1.25	1.563	7.31	1.63	5.940	.63	.188
MM	162	31.75	25.400		32	39.70	186	41	150.88	16	4.78

FRAME	UNITS	2F
182JP	IN	4.50
	MM	114
184JP	IN	5.50
	MM	140

TOLERANCES	
FACE RUNOUT	4.500 AK
PERMISSIBLE ECCENTRICITY OF MOUNTING RABBET	.004 T.I.R.
PERMISSIBLE SHAFT RUNOUT	.004 T.I.R.
TOLERANCE ON "AK" DIMENSION	-.003

1: ALL ROUGH CASTING DIMENSIONS MAY VARY BY .25" DUE TO CASTING AND/OR FABRICATION VARIATIONS.
2: LARGEST MOTOR WIDTH.
3: TOLERANCES SHOWN ARE IN INCHES ONLY.

4: STANDARD ASSEMBLY POSITION F-1 IS SHOWN F-2 IS PROVIDED WHEN SPECIFIED. CONDUIT OPENINGS MAY BE LOCATED IN STEPS OF 90 DEGREES REGARDLESS OF LOCATION. STANDARD AS SHOWN WITH CONDUIT OPENING DOWN.
5: ALL TAPPED HOLES ARE UNIFIED NATIONAL COARSE, RIGHT HAND THREAD.
6: TAP SIZE AND BOLT PENETRATION ALLOWANCE.

07-2848/A ECO 46385-00

Nidec Motor Corporation
St. Louis, Missouri

INFORMATION DISCLOSED ON THIS DOCUMENT IS CONSIDERED PROPRIETARY AND SHALL NOT BE REPRODUCED OR DISCLOSED WITHOUT WRITTEN CONSENT OF NIDEC MOTOR CORPORATION



ISSUED BY
R. KING
APPROVED BY
K. POTTER

IHP_DP_NMCA (MAR-2011) SOLIDEDGE