

EFFECTIVE:
27-JUN-11

SUPERSEDES:
24-JUL-09

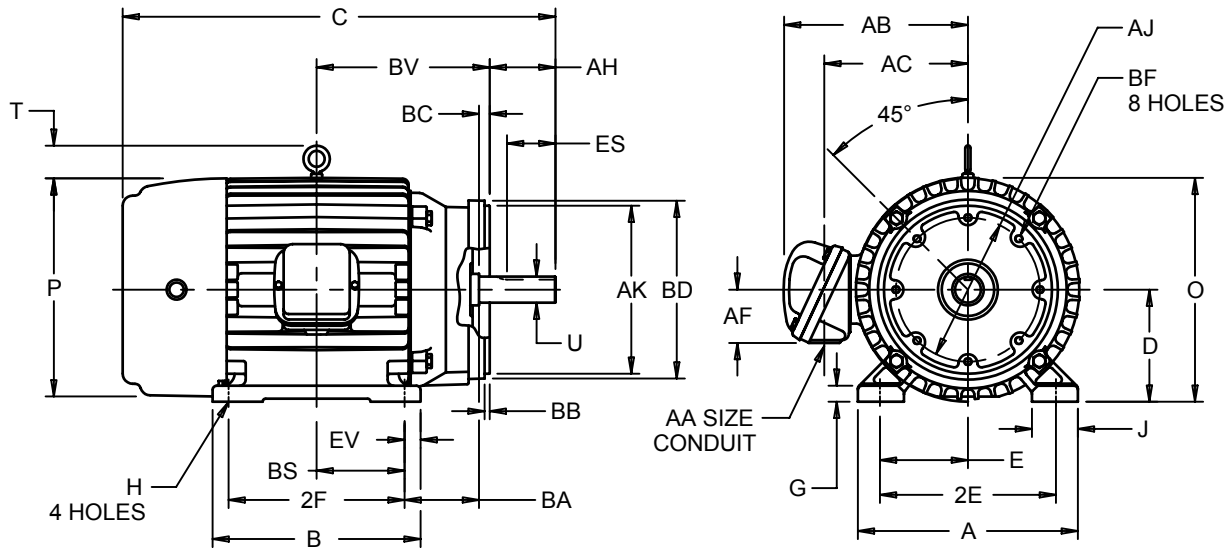
HORIZONTAL MOTORS

AUTOMOTIVE DUTY WITH NEMA "C" BRACKET KIT

FRAME: 254,256UC
BASIC TYPE: JAD,JDE

PRINT:
07-2858

SHEET:
1 OF 1



ALL DIMENSIONS ARE IN INCHES AND MILLIMETERS

UNITS	A	B	C	D	E	2E	G	H	J	O
IN	12.25	12.00	25.88	6.25	5.00	±.03	.88	+.05	2.25	12.94
MM	311	305	657	159	127	254	22	14	57	329

UNITS	P ⁵	T	U	AA	AB	AC	AF	AH	AJ	AK
IN	13.38	2.03	1.3750	1.50NPT	11.56	8.56	2.63	3.50	7.250	8.500
MM	340	52	34.925		294	217	67	89	184.15	215.90

UNITS	BA	BB	BD MAX	BF ²	BS	BV	ES MIN	EV	SQ KEY
IN	4.75	.25	10.00	1/2-13 X .75	5.00	10.00	2.75	1.00	.313
MM	121	6	254		127	254	70	25	7.95

FRAME	UNITS	2F
254UC	IN	±.03 8.25
	MM	210
256UC	IN	10.00
	MM	254

- 1: ALL ROUGH DIMENSIONS MAY VARY BY .25" DUE TO CASTING AND/OR FABRICATION VARIATIONS.
- 2: TAP SIZE AND BOLT PENETRATION ALLOWANCE.
- 3: ALL TAPPED HOLES ARE UNIFIED NATIONAL COARSE, RIGHT HAND THREAD.
- 4: CONDUIT BOX MAY BE LOCATED ON EITHER SIDE OF MOTOR. CONDUIT OPENINGS MAY BE LOCATED IN STEPS OF 90° REGARDLESS OF LOCATION. STANDARD AS SHOWN WITH CONDUIT OPENING DOWN.
- 5: LARGEST MOTOR WIDTH.
- 6: TOLERANCES SHOWN ARE IN INCHES ONLY.

TOLERANCES	
FACE RUNOUT	.004 T.I.R.
PERMISSIBLE ECCENTRICITY OF MOUNTING RABBET	.004 T.I.R.
PERMISSIBLE SHAFT RUNOUT	.002 T.I.R.

07-2858/A

Nidec Motor Corporation
St. Louis, Missouri

INFORMATION DISCLOSED ON THIS DOCUMENT
IS CONSIDERED PROPRIETARY AND SHALL NOT BE
REPRODUCED OR DISCLOSED WITHOUT WRITTEN
CONSENT OF NIDEC MOTOR CORPORATION



ISSUED BY
D. MISAL
APPROVED BY
R. KING

IHP_DP_NMCA (MAR-2011) SOLIDEDGE