

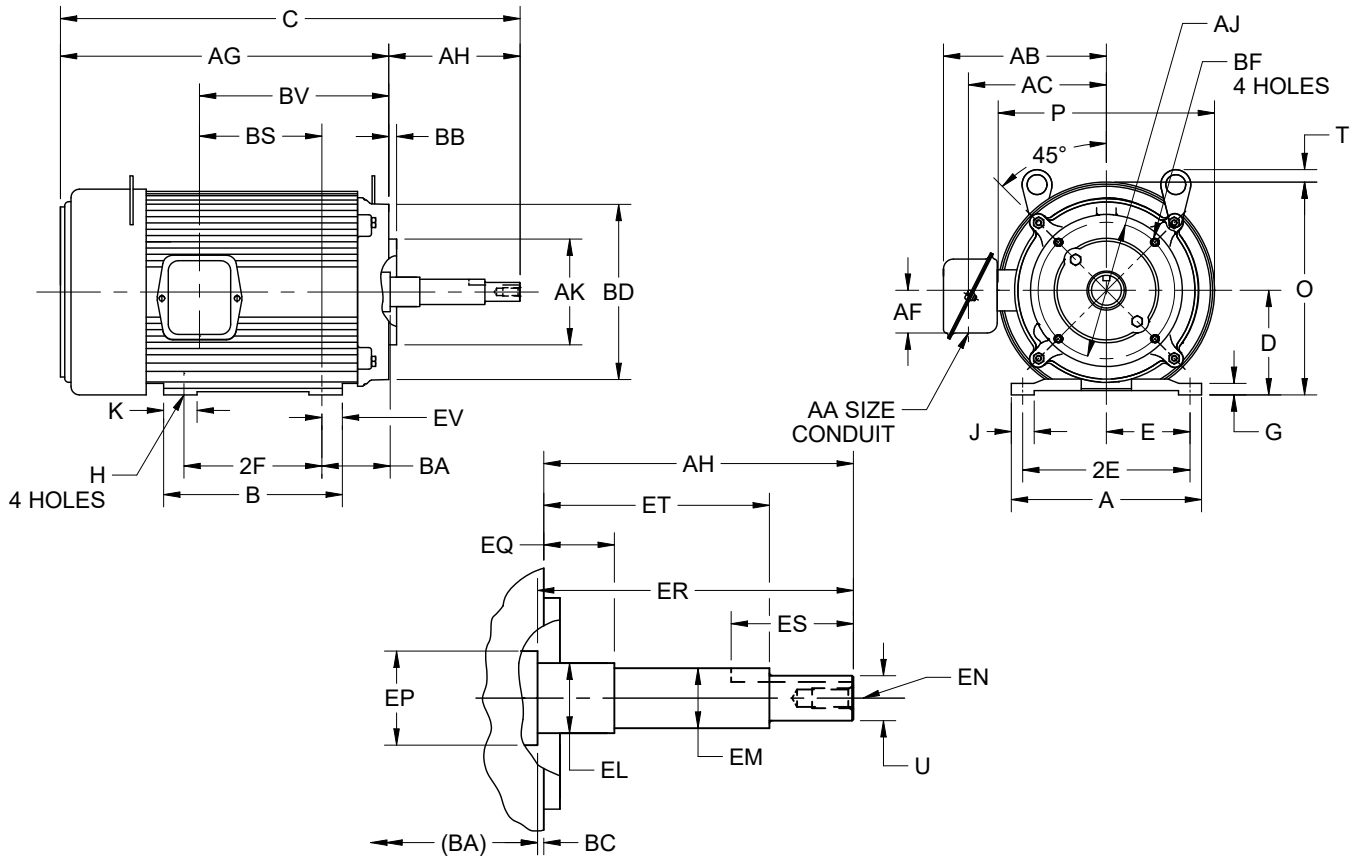
EFFECTIVE:
21-JUN-18

SUPERSEDES:
19-JUN-13

DIMENSION PRINT
UNIMOUNT CLOSE-COUPLED PUMP
FRAME: 184JP
BASIC TYPE: UT-1

PRINT:
07-2868

SHEET:
1 OF 1



ALL DIMENSIONS ARE IN INCHES AND MILLIMETERS

UNITS	A	B	C	D	E	2E	2F	G	H	J	K	O
IN	8.38	6.38	21.56	-06	3.75	7.50	5.50	.38	.41	.88	1.88	9.28
MM	213	162	548	114	95	191	140	10	10	22	48	236

UNITS	P ²	T	U	AA	AB	AC	AF	AG	AH	AJ	AK	BA
IN	9.56	.63	.8745		7.50	6.31	2.13	14.31	7.313	5.875	4.500	3.50
MM	243	16	22.212	.75	191	160	54	363	185.75	149.23	114.30	89

UNITS	BB	BC	BD	BF ⁷	BS	BV	EL	EM	EN ⁷	EP	EQ	ER
IN	-.031	.13	MAX		6.28	8.41	-.002	1.0000		MIN	±.015	MIN
MM	3.96	3	168	3/8-16X.56	160	214	31.75	25.400	3/8-16X.75	32	39.70	186

UNITS	ES	ET	EV	SQ
IN	MIN	±.015	.44	KEY
MM	42	150.83	11	4.78

TOLERANCES	
FACE RUNOUT	.004 T.I.R.
PERMISSIBLE ECCENTRICITY OF MOUNTING RABBET	.004 T.I.R.
PERMISSIBLE SHAFT RUNOUT	.002 T.I.R.

- ALL ROUGH CASTING DIMENSIONS MAY VARY BY .25" DUE TO CASTING AND/OR FABRICATION VARIATIONS.
- LARGEST MOTOR WIDTH.
- FRAME REFERENCE: 9.000"/184

- CONDUIT BOX MAY BE LOCATED ON EITHER SIDE OF MOTOR. CONDUIT OPENINGS MAY BE LOCATED IN STEPS OF 90 DEGREES REGARDLESS OF LOCATION. STANDARD AS SHOWN WITH CONDUIT OPENING DOWN.
- TOLERANCES SHOWN ARE IN INCHES ONLY.
- ALL TAPPED HOLES ARE UNIFIED NATIONAL COARSE, RIGHT HAND THREAD.
- TAP SIZE AND BOLT PENETRATION ALLOWANCE.

07-2868/B

Nidec Motor Corporation
St. Louis, Missouri

INFORMATION DISCLOSED ON THIS DOCUMENT IS CONSIDERED PROPRIETARY AND SHALL NOT BE REPRODUCED OR DISCLOSED WITHOUT WRITTEN CONSENT OF NIDEC MOTOR CORPORATION



ISSUED BY
F. RAMIREZ
APPROVED BY
R. TIMMERMAN

IHP_DP_NMCA (MAR-2011) SOLIDEDGE