

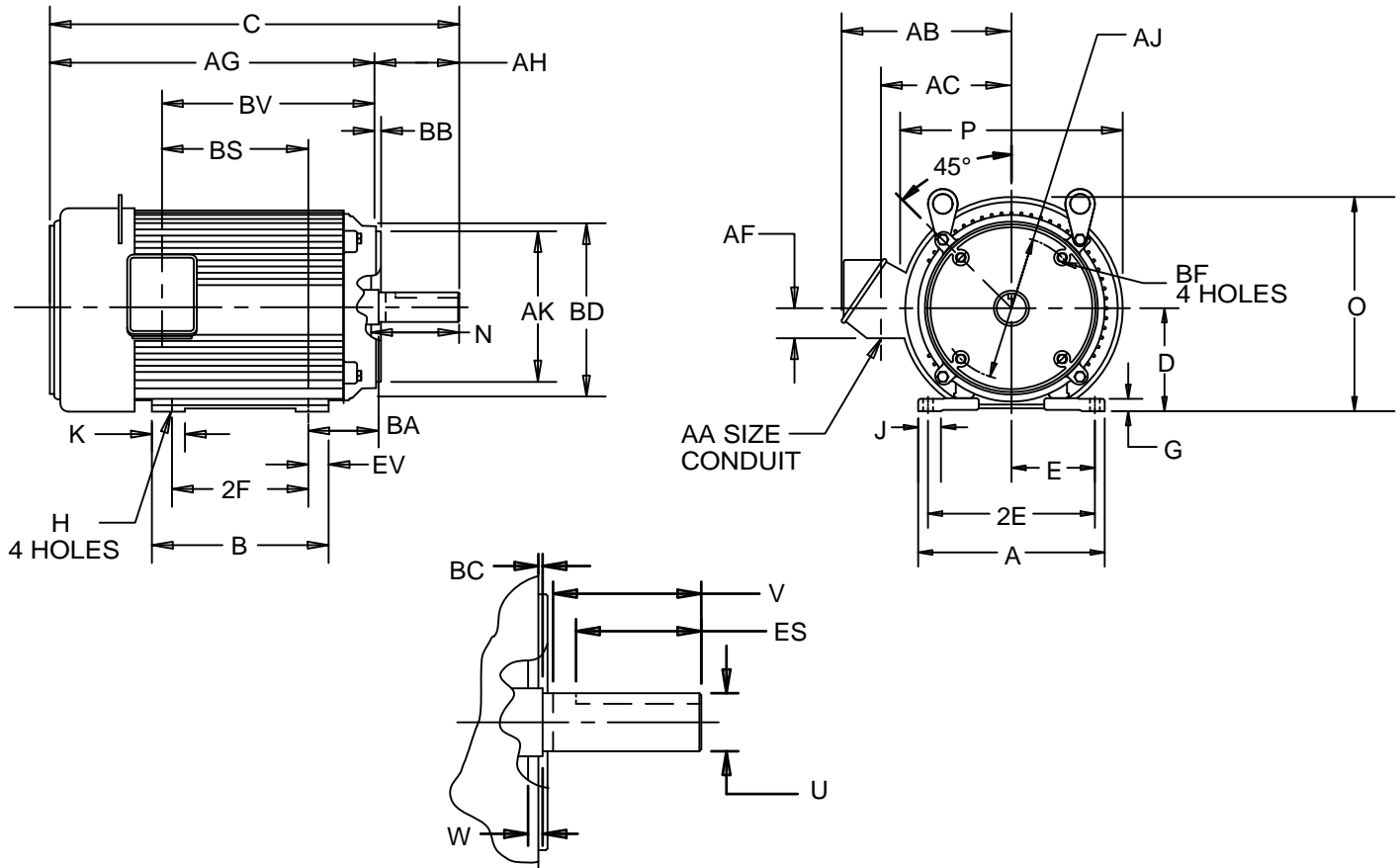
EFFECTIVE:
15-JUN-11

SUPERSEDES:
13-JUL-09

HORIZONTAL MOTORS
UNIMOUNT WITH "C" BRACKET
FRAME: 254 - 256 TC
BASIC TYPE: UT

PRINT:
07-2873

SHEET:
1 OF 1



ALL DIMENSIONS ARE IN INCHES AND MILLIMETERS

UNITS	A	D -.06	E	2E ±.03	G	H +.05	J	K	N	O	P ²	U -.001	V MIN	W
IN	11.38	6.25	5.00	10.00	.69	.53	1.38	2.00	4.13	12.94	13.38	1.625	3.72	.13
MM	289	159	127	254	18	13	35	51	105	329	340	41.28	94	3

UNITS	AA	AB	AC	AF	AH	AJ	AK -.003	BA	BB MIN	BC	BD MAX	BF ⁷	ES MIN	EV	SQ KEY
IN	1-1/4 NPT	9.94	7.63	1.81	3.75	7.250	8.500	4.75	.25	.25	10.00	1/2-13 x .75	2.91	1.22	.375
MM		252	194	46	95	184	216	121	6	6	254		74	31	9.53

FRAME	UNITS	B	C	2F ±.03	AG	BS	BV
254TC	IN	10.69	24.00	8.25	20.25	6.88	11.81
	MM	272	610	210	514	175	300
256TC	IN	12.44	25.75	10.00	22.00	8.63	13.56
	MM	316	654	254	559	219	344

TOLERANCES	
FACE RUNOUT	.004 T.I.R.
PERMISSIBLE ECCENTRICITY OF MOUNTING RABBET	.004 T.I.R.
PERMISSIBLE SHAFT RUNOUT	.002 T.I.R.

1: ALL ROUGH CASTING DIMENSIONS MAY VARY BY .25" DUE TO CASTING AND/OR FABRICATION VARIATIONS.
2: LARGEST MOTOR WIDTH.
3: FRAME REFERENCE: 12.500"/254"/14.250"/256

4: CONDUIT BOX MAY BE LOCATED ON EITHER SIDE OF MOTOR. CONDUIT OPENINGS MAY BE LOCATED IN STEPS OF 180 DEGREES REGARDLESS OF LOCATION. STANDARD AS SHOWN WITH CONDUIT OPENING DOWN.
5: TOLERANCES SHOWN ARE IN INCHES ONLY.
6: ALL TAPPED HOLES ARE UNIFIED NATIONAL COARSE, RIGHT HAND THREAD.
7: TAP SIZE AND BOLT PENETRATION ALLOWANCE.

07-2873/A

Nidec Motor Corporation
St. Louis, Missouri

INFORMATION DISCLOSED ON THIS DOCUMENT IS CONSIDERED PROPRIETARY AND SHALL NOT BE REPRODUCED OR DISCLOSED WITHOUT WRITTEN CONSENT OF NIDEC MOTOR CORPORATION



ISSUED BY
L. CUESTA
APPROVED BY
N. ACOSTA

IHP_DP_NMCA (MAR-2011) SOLIDEDGE