

EFFECTIVE:
21-NOV-13

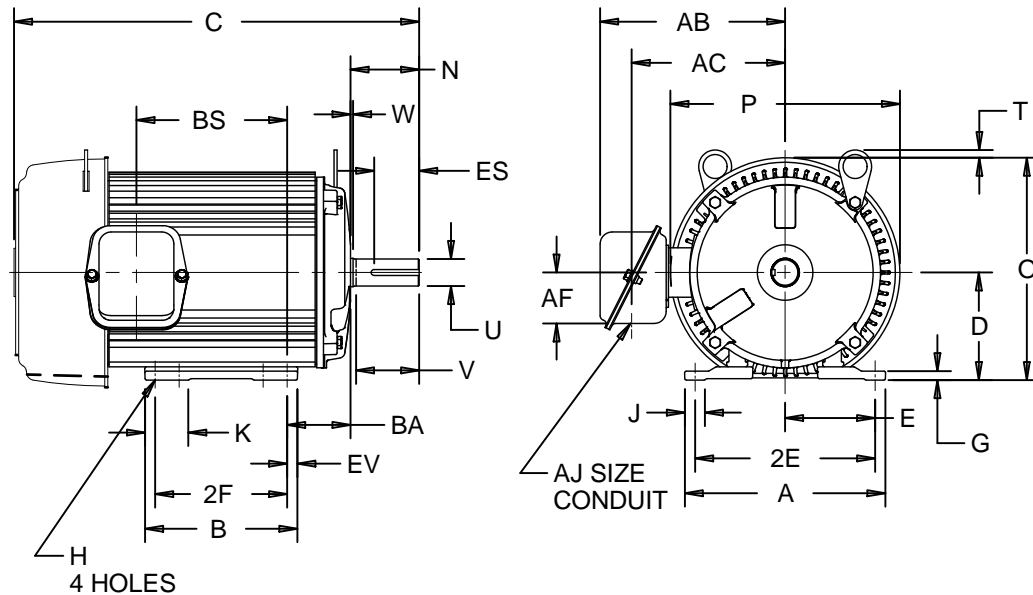
DIMENSION PRINT

PRINT:
07-2883

SUPERSEDES:
18-SEP-12

UNIMOUNT
FRAME: 184T
BASIC TYPE: UT

SHEET:
1 OF 1



ALL DIMENSIONS ARE IN INCHES AND MILLIMETERS

UNITS	A	B	C	D	E	2E	2F	G	H	J	K	N	O	P ²
IN	8.38	6.38	16.88	4.50	3.75	7.50	5.50	.38	.41	.88	1.88	2.88	9.28	9.66
MM	213	162	429	114	95	191	140	10	10	22	48	73	236	245

UNITS	T	U	V	W	AA	AB	AC	AF	BA	BS	ES	EV	SQ	KEY
IN	.34	1.1250	2.50	.13	.75	7.72	6.41	2.13	2.75	6.28	1.78	.44	.250	
MM	9	28.575	64	3		196	163	54	70	160	45	11	6.35	

1: ALL ROUGH CASTING DIMENSIONS MAY VARY BY .25" DUE TO CASTING AND/OR FABRICATION VARIATIONS.
2: LARGEST MOTOR WIDTH.
3: FRAME REFERENCE: 9.000"/184

4: CONDUIT BOX MAY BE LOCATED ON EITHER SIDE OF MOTOR. CONDUIT OPENINGS MAY BE LOCATED IN STEPS OF 90 DEGREES REGARDLESS OF LOCATION. STANDARD AS SHOWN WITH CONDUIT OPENING DOWN.
5: TOLERANCES SHOWN ARE IN INCHES ONLY.

07-2883/D

Nidec Motor Corporation
St. Louis, Missouri

INFORMATION DISCLOSED ON THIS DOCUMENT IS CONSIDERED PROPRIETARY AND SHALL NOT BE REPRODUCED OR DISCLOSED WITHOUT WRITTEN CONSENT OF NIDEC MOTOR CORPORATION



ISSUED BY
R. KING
APPROVED BY
J. O'BRIEN

IHP_DP_NMCA (MAR-2011) SOLIDEDGE