

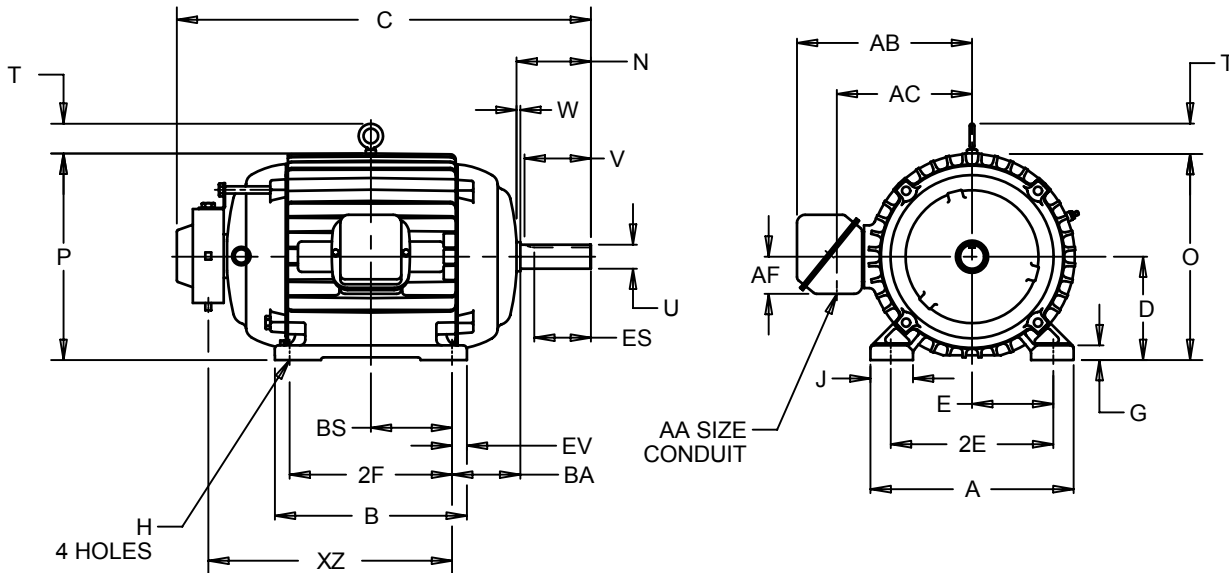
EFFECTIVE:  
**17-JUN-11**

SUPERSEDES:  
**31-JUL-09**

**HORIZONTAL MOTORS**  
TENV - VARIDYNE  
FRAME: 213, 215T  
BASIC TYPE: CTNX - CONVERSION

PRINT:  
**07-2888**

SHEET:  
**1 OF 1**



ALL DIMENSIONS ARE IN INCHES AND MILLIMETERS

UNITS	A	B	C	D -.06	E	2E ±.03	G	H +.05	J	N	O	P <sup>2</sup>
IN	10.50	8.50	19.22	5.25	4.25	8.50	.50	.41	1.75	3.72	10.81	10.88
MM	267	216	488	133	108	216	13	10	44	94	275	276

UNITS	T	U -.0005	V MIN	W	AA	AB	AC	AF	BA	BS	ES MIN	EV
IN	2.03	1.3750	3.12	.34	1.00 NPT	8.88	7.06	2.00	3.50	3.50	2.41	.75
MM	52	34.925	79	9		225	179	51	89	89	61	19

UNITS	XZ <sup>7</sup>	SQ KEY
IN	10.88	.313
MM	276	7.95

FRAME	UNITS	2F ±.03
213T	IN	5.50
	MM	140
215T	IN	7.00
	MM	178

- 1: ALL ROUGH DIMENSIONS MAY VARY BY .25" DUE TO CASTING AND/OR FABRICATION VARIATIONS.
- 2: LARGEST MOTOR WIDTH.
- 3: NON-NEMA BA.
- 4: TOLERANCES SHOWN ARE IN INCHES ONLY.
- 5: STANDERED ASSEMBLY POSITION F-1 IS SHOWN F-2 IS PROVIDED WHEN SPECIFIED. CONDUIT OPENINGS MAY BE LOCATED IN STEPS OF 90° REGARDLESS OF LOCATION. STANDARD AS SHOWN WITH CONDUIT OPENING DOWN.
- 6: TAP SIZE AND BOLT PENETRATION ALLOWANCE.
- 7: ENCODER CONNECTOR IS SHOWN OUT OF POSITION.

07-2888/A

**Nidec Motor Corporation**  
St. Louis, Missouri

INFORMATION DISCLOSED ON THIS DOCUMENT IS CONSIDERED PROPRIETARY AND SHALL NOT BE REPRODUCED OR DISCLOSED WITHOUT WRITTEN CONSENT OF NIDEC MOTOR CORPORATION



ISSUED BY  
**A. HINGANKAR**  
APPROVED BY  
**R. KING**

IHP\_DP\_NMCA (MAR-2011) SOLIDEDGE