

EFFECTIVE:
13-JAN-15

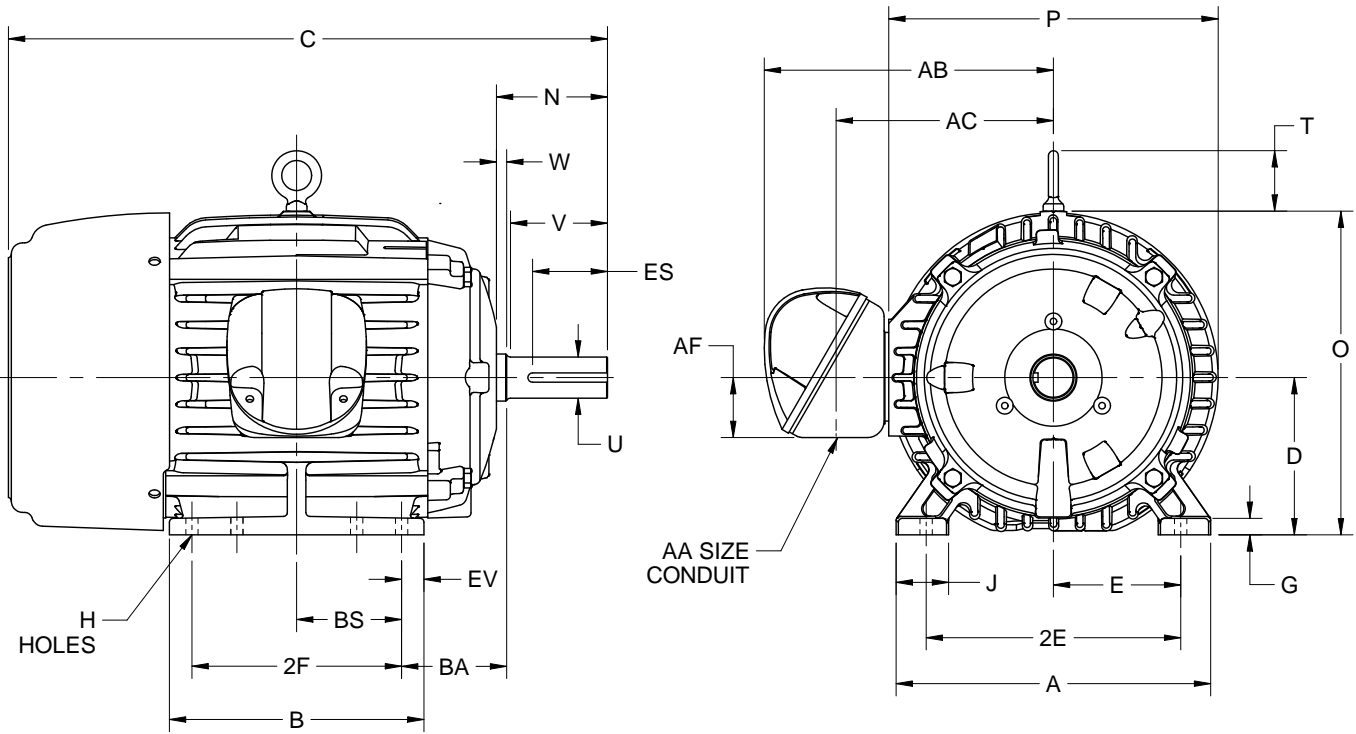
DIMENSION PRINT

PRINT:
07-2894

SUPERSEDES:
06-NOV-13

FRAME: 210T
BASIC TYPE: CE, TC

SHEET:
1 OF 1



ALL DIMENSIONS ARE IN INCHES AND MILLIMETERS

	A	B	C	D -.06	E	2E ±.03	G	H +.05	J
IN	10.50	8.50	20.00	5.25	4.25	8.50	.53	.41	1.75
MM	267	216	508	133	108	216	14	10	44

	N	O	P ²	T	U -.0005	V MIN	W	AA	AB
IN	3.72	10.81	11.00	2.03	1.3750	3.13	.38	1 NPT	9.69
MM	94	274	279	52	34.925	80	10		246

	AC	AF	BA ±.09	BS	ES MIN	EV	SQ KEY
IN	7.25	2.00	3.50	3.50	2.41	.75	.313
MM	184	51	89	89	61	19	7.95

	FRAME	2F ±.03
IN	213T	5.50
MM		140
IN	215T	7.00
MM		178

1. DIMENSIONS MAY VARY .25" DUE TO CASTING AND/OR FABRICATION VARIATIONS.
2. LARGEST MOTOR WIDTH.
3. TOLERANCES ARE SHOWN IN INCHES.
4. CONDUIT BOX MAY BE LOCATED ON EITHER SIDE OF MOTOR. CONDUIT OPENING MAY BE LOCATED IN STEPS OF 90 DEGREES REGARDLESS OF LOCATION. STANDARD AS SHOWN WITH CONDUIT OPENING DOWN.

07-2894/C

Nidec Motor Corporation
St. Louis, Missouri

INFORMATION DISCLOSED ON THIS DOCUMENT IS CONSIDERED PROPRIETARY AND SHALL NOT BE REPRODUCED OR DISCLOSED WITHOUT WRITTEN CONSENT OF NIDEC MOTOR CORPORATION



ISSUED BY
K. FRIEDMAN
APPROVED BY
J. O'BRIEN

IHP_DP_NMCA (MAR-2011) SOLIDEDGE