

EFFECTIVE:
22-JUN-11

HORIZONTAL MOTORS

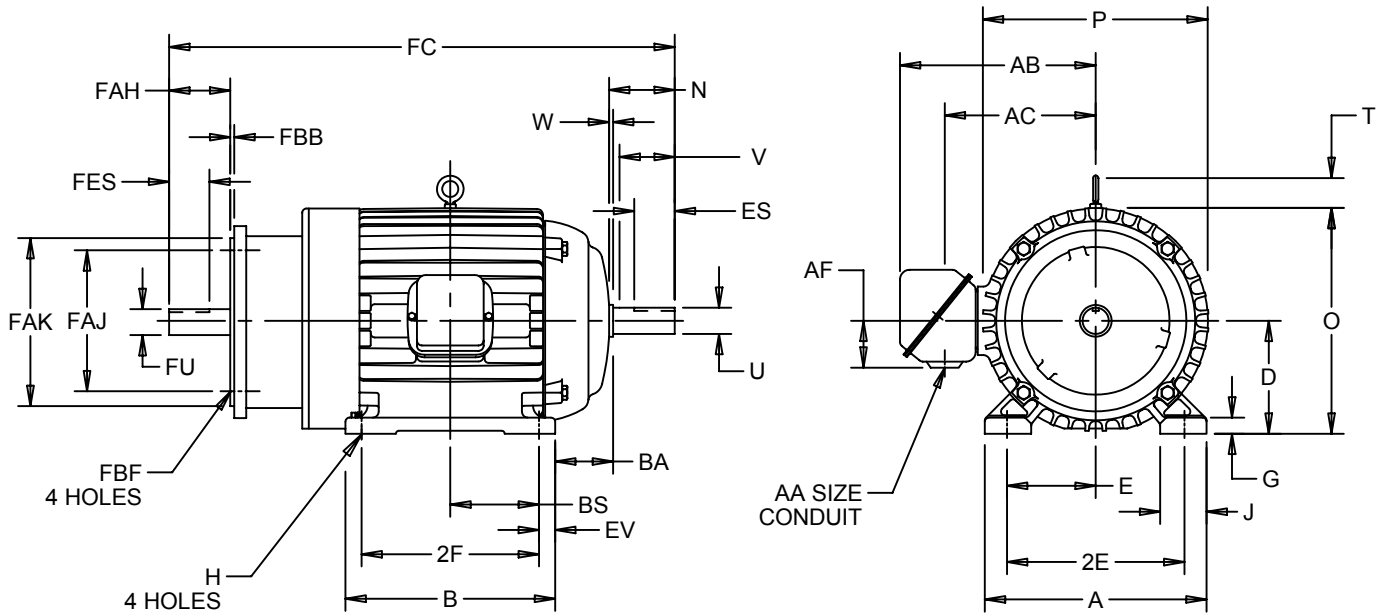
AUTOMOTIVE DUTY WITH ACCOMODATION FOR BRAKE

PRINT:
07-2898

SUPERSEDES:
03-AUG-09

FRAME: 213, 215
BASIC TYPE: JAD, JDE

SHEET:
1 OF 1



ALL DIMENSIONS ARE IN INCHES AND MILLIMETERS

UNITS	A	B	D -.06	E	2E ±.03	G	H +.05	J	N	O	P ²	T
IN	10.50	8.50	5.25	4.25	8.50	.50	.41	2.00	3.38	10.94	11.44	2.03
MM	267	216	133	108	216	13	10	51	86	278	291	52

UNITS	U -.0005	V MIN	W	AA	AB	AC	AF	BA	BS	ES MIN	EV
IN	1.1250	2.75	.38	1.00 NPT	9.81	7.25	2.00	3.50	3.50	2.13	.75
MM	28.575	70	10		249	184	51	89	89	54	19

UNITS	FC	FAH	FAJ	FAK	FBB MIN	FBF	FES MIN	FU -.0005	PE SQ KEY	SE SQ KEY
IN	22.06	2.13	7.250	8.500	.25	1/2-13	1.78	.8750	.250	.188
MM	560	54	184.15	215.90	6		45	22.225	6.35	4.78

FRAME	UNITS	2F ±.03
213	IN	5.50
	MM	140
215	IN	7.00
	MM	178

- 1: ALL ROUGH CASTING DIMENSIONS MAY VARY BY .25" DUE TO CASTING AND/OR FABRICATION VARIATIONS.
- 2: LARGEST MOTOR WIDTH.
- 3: TOLERANCES SHOWN ARE IN INCHES ONLY.
- 4: STANDARD ASSEMBLY POSITION F-1 IS SHOWN F-2 IS PROVIDED WHEN SPECIFIED. CONDUIT OPENINGS MAY BE LOCATED IN STEPS OF 90° REGARDLESS OF LOCATION. STANDARD AS SHOWN WITH CONDUIT OPENING DOWN.
- 5: ALL TAPPED HOLES ARE UNIFIED NATIONAL COARSE, RIGHT HAND THREAD.
- 6: TAP SIZE AND BOLT PENETRATION ALLOWANCE.

07-2898/A

Nidec Motor Corporation
St. Louis, Missouri

INFORMATION DISCLOSED ON THIS DOCUMENT
IS CONSIDERED PROPRIETARY AND SHALL NOT BE
REPRODUCED OR DISCLOSED WITHOUT WRITTEN
CONSENT OF NIDEC MOTOR CORPORATION



ISSUED BY
N. SHELAR
APPROVED BY
R. KING

IHP_DP_NMCA (MAR-2011) SOLIDEDGE