

EFFECTIVE:
20-JUN-11

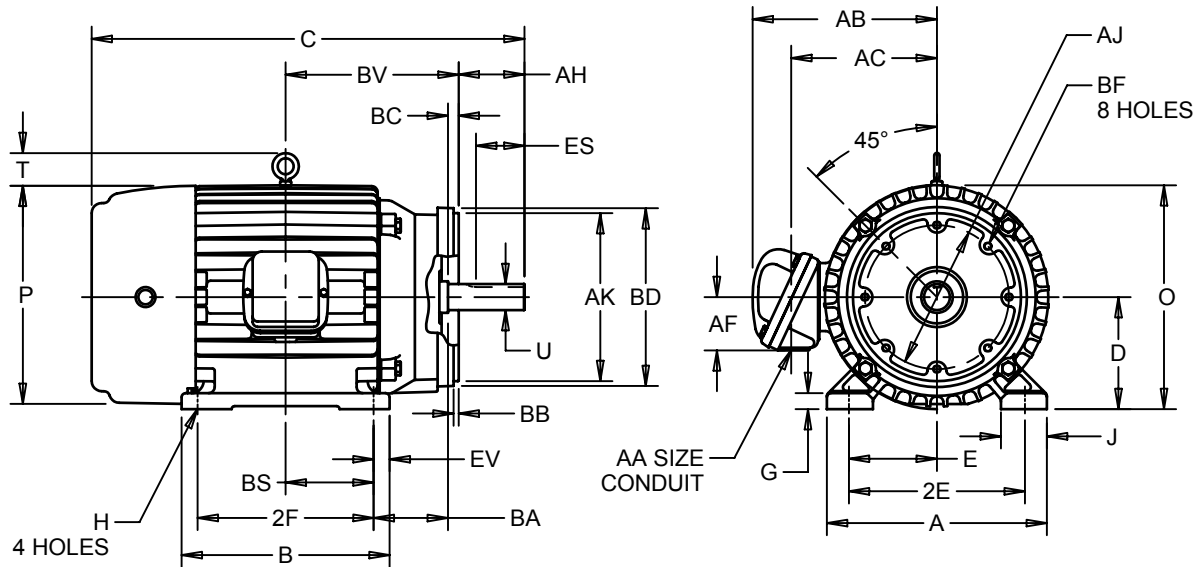
SUPERSEDES:
23-NOV-10

HORIZONTAL MOTORS

TEFC- W/"C" BKT KIT
FRAME: 213, 215TC
BASIC TYPE: CT

PRINT:
07-2905

SHEET:
1 OF 1



ALL DIMENSIONS ARE IN INCHES AND MILLIMETERS

UNITS	A	B	C	D -.06	E	2E ±.03	G	H +.05	J	O	P ⁵
IN	10.50	8.50	20.13	5.25	4.25	8.50	.50	.41	1.75	10.78	11.19
MM	267	216	511	133	108	216	13	10	44	274	284

UNITS	T	U -.0005	AA	AB	AC	AF	AH	AJ	AK -.003	BA ⁷	BB
IN	2.03	1.3750	1.00	8.88	6.66	2.00	3.13	7.250	8.500	3.50	.25
MM	52	34.925		226	169	51	80	184.15	215.90	89	6

UNITS	BC	BD MAX	BF ²	BS	BV	ES MIN	EV	SQ KEY
IN	.25	9.00	1/2-13X.75	3.50	7.25	2.41	.75	.313
MM	6	229		89	184	61	19	7.95

FRAME	UNITS	2F ±.03
213TC	IN	5.50
	MM	140
215TC	IN	7.00
	MM	178

- 1: ALL ROUGH DIMENSIONS MAY VARY BY .25" DUE TO CASTING AND/OR FABRICATION VARIATIONS.
- 2: TAP SIZE AND BOLT PENETRATION ALLOWANCE.
- 3: ALL TAPPED HOLES ARE UNIFIED NATIONAL COARSE, RIGHT HAND THREAD.
- 4: CONDUIT BOX MAY BE LOCATED ON EITHER SIDE OF MOTOR. CONDUIT OPENINGS MAY BE LOCATED IN STEPS OF 90° REGARDLESS OF LOCATION. STANDARD AS SHOWN WITH CONDUIT OPENING DOWN.
- 5: LARGEST MOTOR WIDTH.
- 6: TOLERANCES SHOWN ARE IN INCHES ONLY.
- 7: NON NEMA "BA".

TOLERANCES	
FACE RUNOUT	.004 T.I.R.
PERMISSIBLE ECCENTRICITY OF MOUNTING RABBET	.004 T.I.R.
PERMISSIBLE SHAFT RUNOUT	.002 T.I.R.

07-2905/B

Nidec Motor Corporation
St. Louis, Missouri

INFORMATION DISCLOSED ON THIS DOCUMENT
IS CONSIDERED PROPRIETARY AND SHALL NOT BE
REPRODUCED OR DISCLOSED WITHOUT WRITTEN
CONSENT OF NIDEC MOTOR CORPORATION



ISSUED BY
A. HINGANKAR
APPROVED BY
R. KING

IHP_DP_NMCA (MAR-2011) SOLIDEDGE