

EFFECTIVE:
16-NOV-16

DIMENSION PRINT

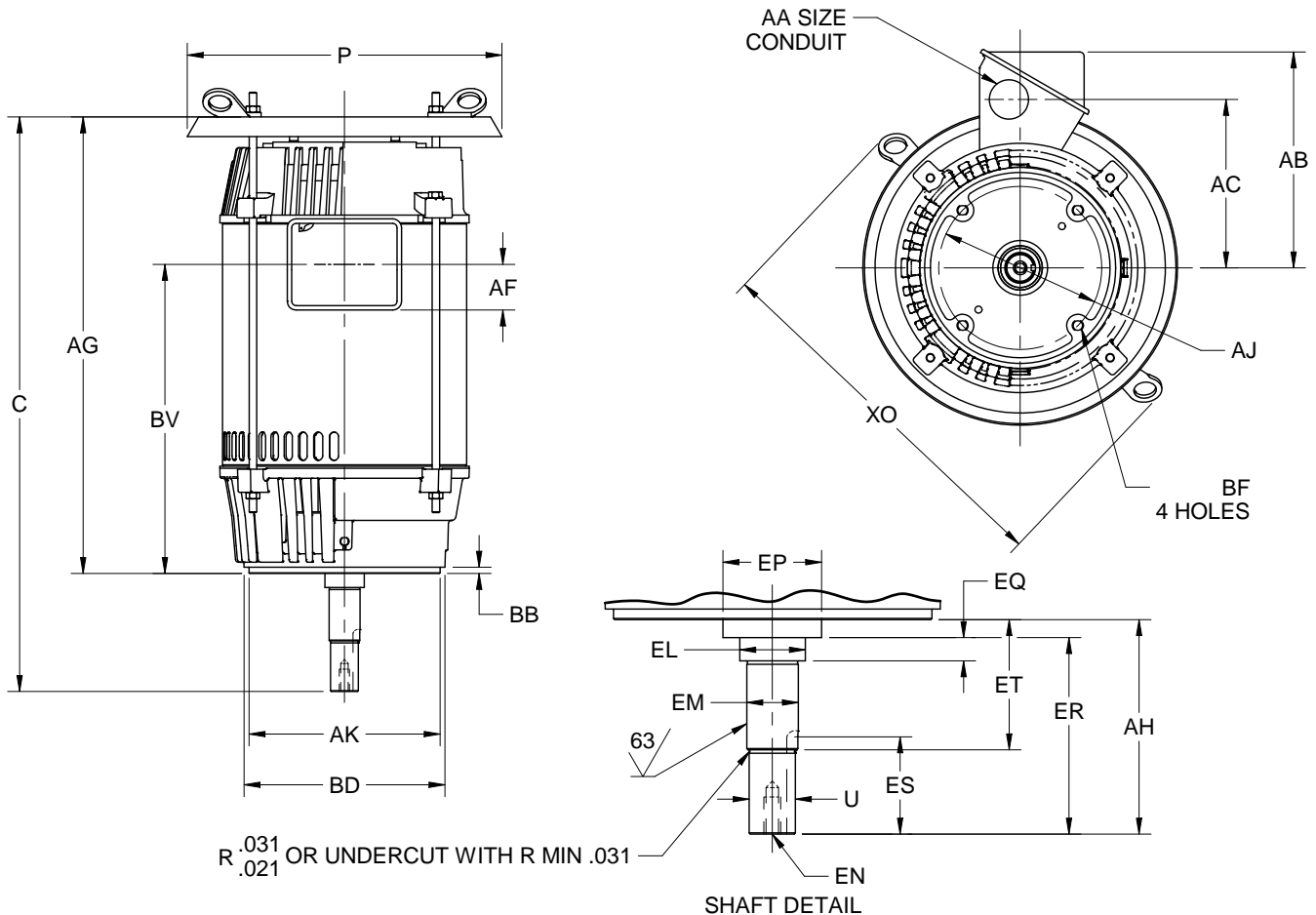
CLOSE-COUPLED PUMP (VERTICAL MOUNTING)

PRINT:
07-2950

SUPERSEDES:
15-NOV-16

FRAME: 250JM
BASIC TYPE: DF4

SHEET:
1 OF 1



ALL DIMENSIONS ARE IN INCHES AND MILLIMETERS

| UNITS | P ² | AA | AB | AC | AF | AJ | AK ⁵ | BB ⁵ | BD | U ⁵ | AH ⁵ | BF ³ |
|-------|----------------|----------|------|------|------|--------|-----------------|-----------------|-------|----------------|-----------------|-----------------|
| IN | 14.00 | 1.25 NPT | 9.75 | 7.50 | 2.03 | 7.250 | -.005 | ±.031 | MAX | -.0005 | ±.031 | 1/2-13 X .75 |
| MM | 356 | | 248 | 190 | 52 | 184.15 | 8.500 | .313 | 10.00 | 1.2495 | 5.250 | |

| UNITS | EL ⁵ | EM ⁵ | EN ³ | EP | EQ ⁵ | ER | ES | ET ⁵ | XO | SQ |
|-------|-----------------|-----------------|-----------------|-----|-----------------|-----|-----|-----------------|-------|------|
| IN | -.002 | -.0005 | 1/2-13 X 1.00 | MIN | ±.015 | MIN | MIN | ±.015 | 16.81 | .250 |
| MM | 44.45 | 34.925 | | 44 | 60.33 | 133 | 64 | 76.20 | 427 | 6.35 |

| FRAME | UNITS | C | AG | BV |
|-------|-------|-------|-------|-------|
| 254JM | IN | 25.50 | 20.25 | 13.75 |
| | MM | 648 | 514 | 349 |
| 256JM | IN | 26.13 | 20.88 | 14.38 |
| | MM | 664 | 530 | 365 |

1. ALL ROUGH CASTING DIMENSIONS MAY VARY BY .25 IN DUE TO CASTING AND/OR FABRICATION VARIATIONS.
2. LARGEST MOTOR WIDTH.
3. TAP SIZE AND BOLT PENETRATION ALLOWANCE.
4. CONDUIT BOX MAY BE LOCATED ON EITHER SIDE AND CONDUIT OPENING MAY BE LOCATED IN STEPS OF 90 DEGREES REGARDLESS OF LOCATION. STANDARD AS SHOWN WITH CONDUIT OPENING DOWN.
5. TOLERANCES SHOWN ARE IN INCHES ONLY.
6. FRAME REFERENCE: 11.125"/254//11.750"/256

| TOLERANCES | |
|---|-------------|
| FACE RUNOUT | .004 T.I.R. |
| PERMISSIBLE ECCENTRICITY OF MOUNTING RABBET | .004 T.I.R. |
| PERMISSIBLE SHAFT RUNOUT | .002 T.I.R. |

07-2950/D

Nidec Motor Corporation
St. Louis, Missouri

INFORMATION DISCLOSED ON THIS DOCUMENT IS CONSIDERED PROPRIETARY AND SHALL NOT BE REPRODUCED OR DISCLOSED WITHOUT WRITTEN CONSENT OF NIDEC MOTOR CORPORATION



ISSUED BY
R. MARTINEZ
APPROVED BY
M. OLVERA

IHP_DP_NMCA (MAR-2011) SOLIDEDGE