

EFFECTIVE:
19-SEP-13

DIMENSION PRINT

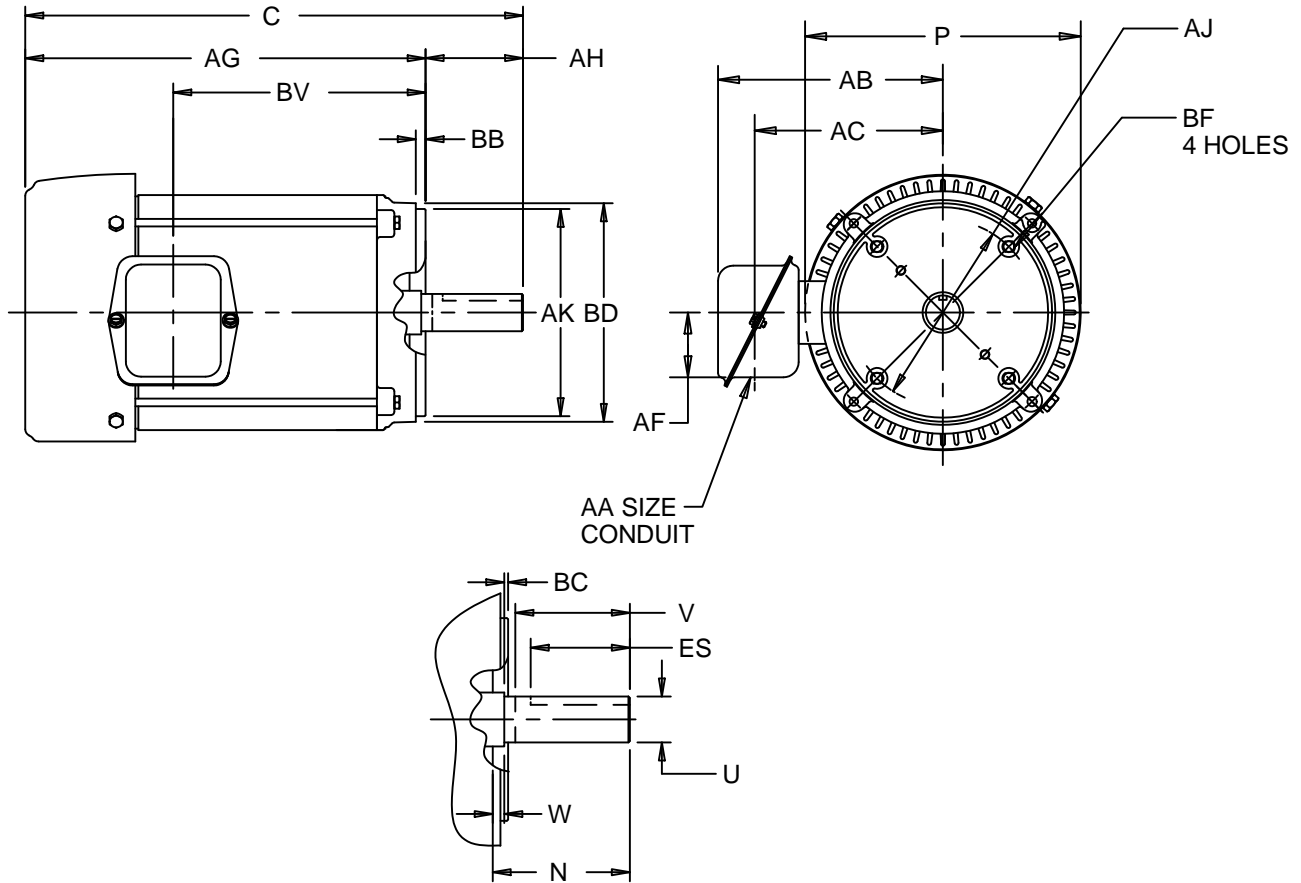
TEFC

PRINT:
07-2952

SUPERSEDES:
06-JUL-10

FRAME: 180TC
BASIC TYPE: SF

SHEET:
1 OF 1



ALL DIMENSIONS ARE IN INCHES AND MILLIMETERS

UNITS	C	N	P ²	U	V	W	AA	AB	AC	AF	AG
IN	15.88	2.88	9.13	1.1250	2.56	.13	.750	7.40	6.19	2.13	13.25
MM	403	73	232	28.575	65	3		188	157	54	337

UNITS	AH	AJ	AK	BB	BC	BD	BF ⁷	BV	ES	SQ
IN	2.63	7.250	8.500	.25	.13	9.00	1/2-13 X .75	8.38	1.78	.250
MM	67	184.15	215.90	6	3	229		213	45	6.35

- 1: ALL ROUGH DIMENSIONS MAY VARY BY .25" DUE TO CASTING AND/OR FABRICATION VARIATIONS.
- 2: LARGEST MOTOR WIDTH.
- 3: FRAME REFERENCE: 8.250"/182/184
- 4: CONDUIT BOX MAY BE LOCATED ON EITHER SIDE OF MOTOR.
CONDUIT OPENINGS MAY BE LOCATED IN STEPS OF 90 DEGREES REGARDLESS OF LOCATION. STANDARD AS SHOWN WITH CONDUIT OPENING DOWN.
- 5: TOLERANCES SHOWN ARE IN INCHES ONLY.
- 6: ALL TAPPED HOLES ARE UNIFIED NATIONAL COARSE, RIGHT HAND THREAD.
- 7: TAP SIZE AND BOLT PENETRATION ALLOWANCE.

TOLERANCES	
FACE RUNOUT	.004 T.I.R.
PERMISSIBLE ECCENTRICITY OF MOUNTING RABBET	.004 T.I.R.
PERMISSIBLE SHAFT RUNOUT	.002 T.I.R.

07-2952/A

Nidec Motor Corporation
St. Louis, Missouri

INFORMATION DISCLOSED ON THIS DOCUMENT IS CONSIDERED PROPRIETARY AND SHALL NOT BE REPRODUCED OR DISCLOSED WITHOUT WRITTEN CONSENT OF NIDEC MOTOR CORPORATION



ISSUED BY
R. KING
APPROVED BY
J. HAGENE

IHP_DP_NMCA (MAR-2011) SOLIDEDGE