

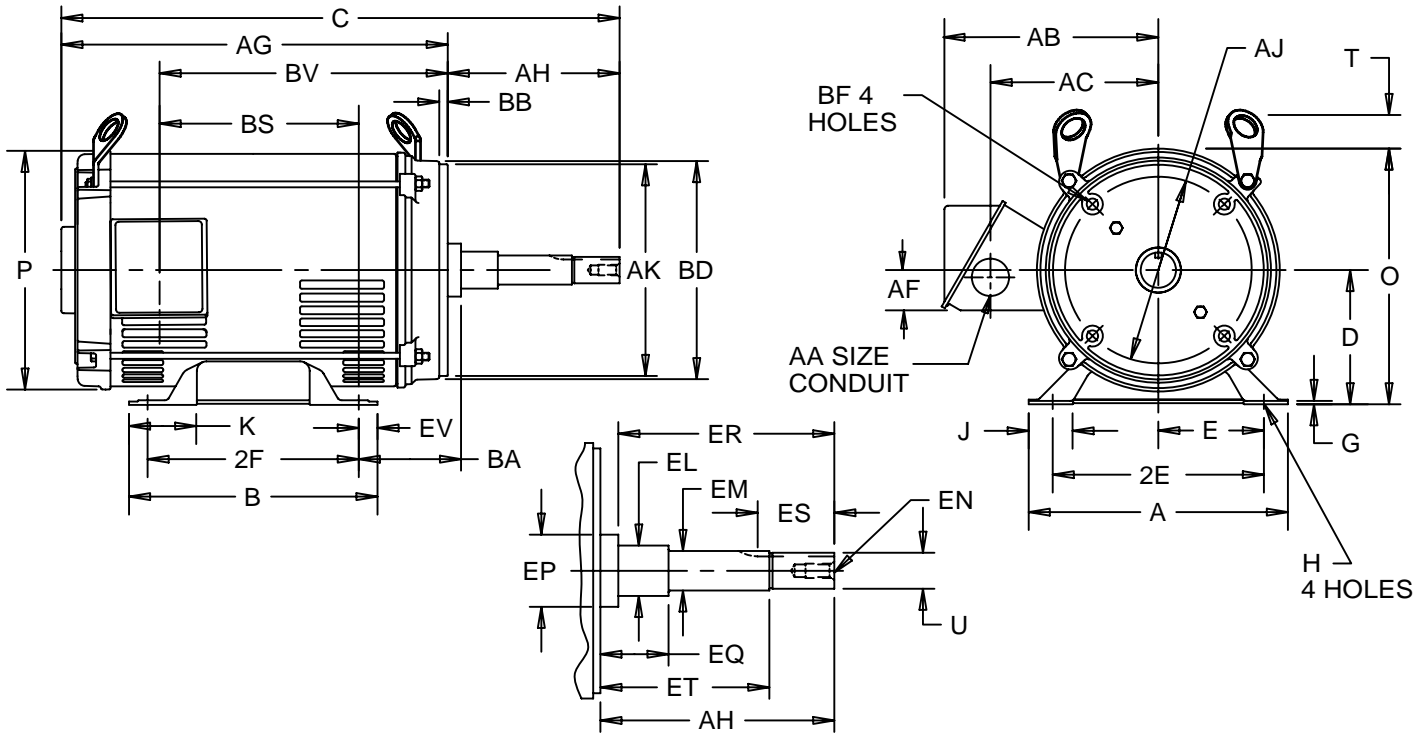
EFFECTIVE:  
15-AUG-12

SUPERSEDES:  
14-JUL-11

**HORIZONTAL MOTORS**  
ODP -CLOSE COUPLED PUMP  
FRAME: 250JP  
BASIC TYPE: D1

PRINT:  
07-2988

SHEET:  
1 OF 1



ALL DIMENSIONS ARE IN INCHES AND MILLIMETERS

UNITS	A	D -.06	E	2E ±.03	G	H +.05	J	K	O	P <sup>2</sup>	T	U -.0005	AA
IN	11.25	6.25	5.00	10.00	.19	.53	1.44	1.38	11.75	11.00	1.19	1.2495	1.25
MM	286	159	127	254	5	13	37	35	298	279	30	31.737	

UNITS	AB	AC	AF	AH ±.031	AJ	AK -.003	BA	BB ±.031	BD MAX	BF <sup>3</sup>	EL -.002
IN	9.75	7.44	1.81	8.125	7.250	8.500	4.75	.281	10.00	1/2-13 X .75	1.750
MM	248	189	46	206.38	184.15	215.90	121	7.14	254		44.45

UNITS	EM -.0005	EN <sup>3</sup>	EP MIN	EQ ±.015	ER MIN	ES MIN	ET ±.015	EV	SQ KEY
IN	1.3750	1/2-13 X 1.00	1.75	2.375	8.13	2.53	5.875	.63	.250
MM	34.925		44	60.33	207	64	149.23	16	6.35

FRAME	UNITS	B	C	2F ±.03	AG	BS	BV
254JP	IN	9.50	27.44	8.25	19.31	7.63	12.81
	MM	241	697	210	490	194	325
256JP	IN	11.25	28.06	10.00	19.94	8.25	13.44
	MM	285	713	254	506	210	341

- 1: ALL ROUGH DIMENSIONS MAY VARY BY .25" DUE TO CASTING AND/OR FABRICATION VARIATIONS.
- 2: LARGEST MOTOR WIDTH.
- 3: TAP SIZE AND BOLT PENETRATION ALLOWANCE.
- 4: ALL TAPPED HOLES ARE UNIFIED NATIONAL COARSE, RIGHT HAND THREAD.
- 5: CONDUIT BOX MAY BE LOCATED ON EITHER SIDE AND CONDUIT OPENING MAY BE LOCATED IN STEPS OF 90 DEGREES REGARDLESS OF LOCATION. STANDARD AS SHOWN WITH CONDUIT OPENING DOWN.
- 6: TOLERANCES SHOWN ARE IN INCHES ONLY.
- 7: FRAME REFERENCE: 11.125/254 AND 11.750/256

TOLERANCES	
FACE RUNOUT	.004 T.I.R.
PERMISSIBLE ECCENTRICITY OF MOUNTING RABBIT	.004 T.I.R.
PERMISSIBLE SHAFT RUNOUT	.002 T.I.R.

07-2988/A

**Nidec Motor Corporation**  
St. Louis, Missouri

INFORMATION DISCLOSED ON THIS DOCUMENT IS CONSIDERED PROPRIETARY AND SHALL NOT BE REPRODUCED OR DISCLOSED WITHOUT WRITTEN CONSENT OF NIDEC MOTOR CORPORATION



ISSUED BY  
**R. KING**  
APPROVED BY  
**J. O'BRIEN**

IHP\_DP\_NMCA (MAR-2011) SOLIDEDGE