

EFFECTIVE:
21-SEP-12

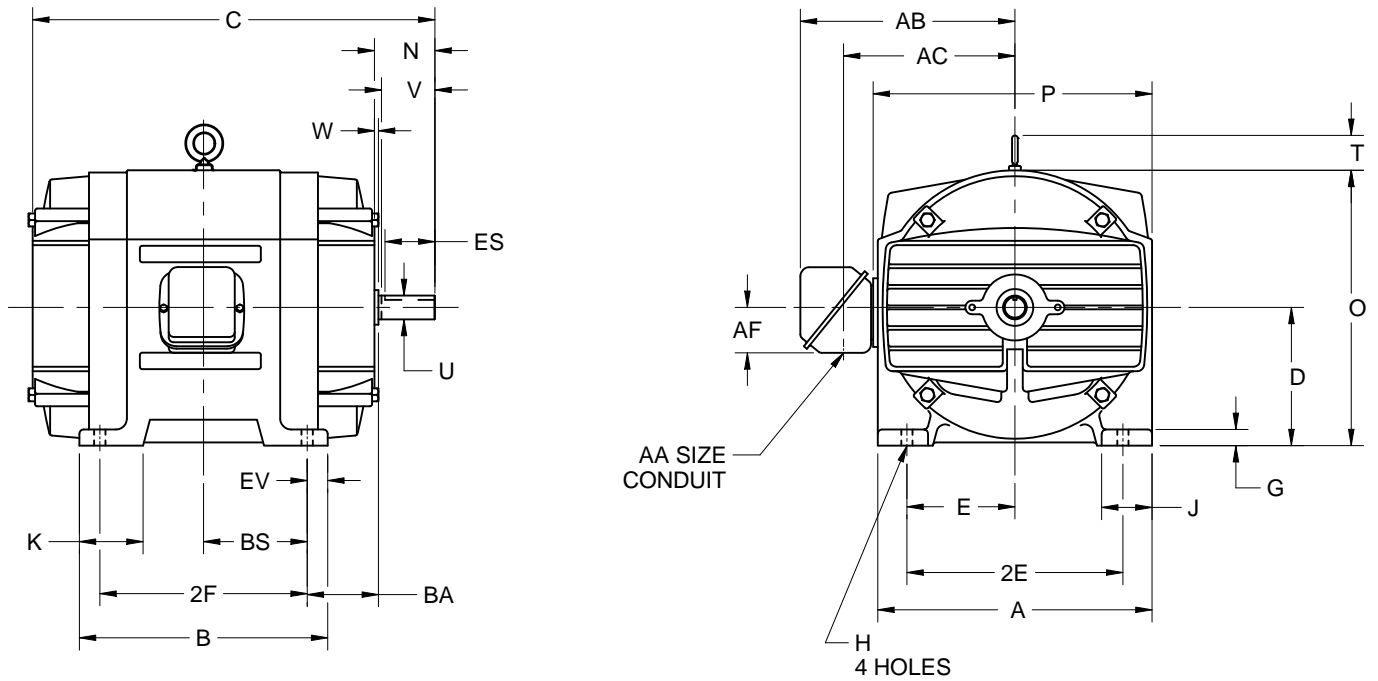
SUPERSEDES:
27-AUG-12

HORIZONTAL MOTORS WITH OVERSIZED MAIN CONDUIT BOX

FRAME: 360T, TS
BASIC TYPE: R

PRINT:
07-3030

SHEET:
1 OF 1



ALL DIMENSIONS ARE IN INCHES AND MILLIMETERS

UNITS	A	D -.06	E	2E ±.03	G	H +.05	J	K	O	P ²	T	W
IN	17.63	9.00	7.00	14.00	1.00	.66	3.44	2.75	17.75	17.63	2.50	.25
MM	448	229	178	356	25	17	87	70	451	448	64	6

UNITS	AA	AB	AC	AF	BA	EV
IN	3.00	17.25	12.75	4.72	5.88	1.38
MM		438	324	120	149	35

FRAME	UNITS	C
364T	IN	28.63
	MM	727
364TS	IN	26.50
	MM	673
365T	IN	29.63
	MM	753
365TS	IN	27.50
	MM	699

FRAME	UNITS	N	U -.001	V MIN	ES MIN	SQ KEY
360T	IN	6.13	2.375	5.63	4.25	.625
	MM	156	60.33	143	108	15.88
360TS	IN	4.00	1.875	3.50	2.00	.500
	MM	102	47.63	89	51	12.70

FRAME	UNITS	B	2F ±.03	BS
364T, TS	IN	14.00	11.25	5.63
	MM	356	286	143
365T, TS	IN	15.00	12.25	6.13
	MM	381	311	156

- ALL ROUGH DIMENSIONS MAY VARY BY .25" DUE TO CASTING AND/OR FABRICATION VARIATIONS.
- LARGEST MOTOR WIDTH.

- CONDUIT BOX CAN BE LOCATED ON EITHER SIDE AND OPENING MAY BE LOCATED IN STEPS OF 90 DEGREES REGARDLESS OF LOCATION. STANDARD AS SHOWN WITH CONDUIT DOWN.
- ALL TOLERANCES SHOWN ARE IN INCHES ONLY.

07-3030/B

Nidec Motor Corporation
St. Louis, Missouri

INFORMATION DISCLOSED ON THIS DOCUMENT IS CONSIDERED PROPRIETARY AND SHALL NOT BE REPRODUCED OR DISCLOSED WITHOUT WRITTEN CONSENT OF NIDEC MOTOR CORPORATION



ISSUED BY
D. MENDEZ
APPROVED BY
R. TIMMERMAN

IHP_DP_NMCA (MAR-2011) SOLIDEDGE