

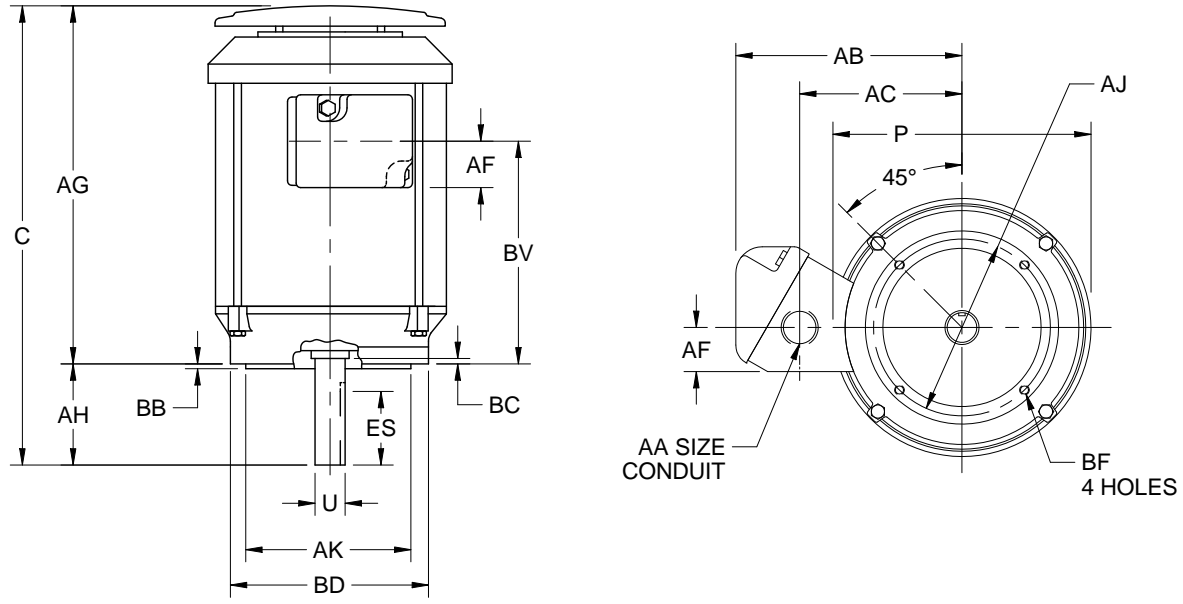
EFFECTIVE:
19-MAR-14

DIMENSION PRINT
TEFC, VERTICALLY MOUNTED
FRAME: 143, 145TC, 4 POLE
BASIC TYPE: TCF

PRINT:
07-3053

SUPERSEDES:
16-JAN-13

SHEET:
1 OF 1



ALL DIMENSIONS ARE IN INCHES AND MILLIMETERS

UNITS	C	P ²	U -.0005	AA	AB	AC	AF	AG	AH	AJ	AK +.003	BB MIN
IN	16.25	7.75	.8750	3/4 NPT	6.38	4.56	1.25	14.13	2.13	5.875	4.500	.13
MM	413	197	22.225		162	116	32	359	54	149.23	114.30	3

UNITS	BC	BD MAX	BF ⁴	BV	ES MIN	SQ KEY
IN	.13	6.50	3/8-16X.56	8.06	1.41	.188
MM	3	156		205	35	4.78

1. ALL ROUGH DIMENSIONS MAY VARY BY .25" DUE TO CASTING AND/OR FABRICATION VARIATIONS.
2. LARGEST MOTOR WIDTH.
3. CONDUIT BOX MAY BE LOCATED ON EITHER SIDE. CONDUIT OPENINGS LOCATED IN BOTTOM AND BOTH SIDES OF CONDUIT BOX.
4. TAP SIZE AND BOLT PENETRATION ALLOWANCE.
5. ALL TAPPED HOLES ARE UNIFIED NATIONAL COARSE, RIGHT HAND THREAD.
6. TOLERANCES SHOWN ARE IN INCHES ONLY.
7. FRAME REFERENCE: 7.75/143/145

TOLERANCES	
FACE RUNOUT	.004 T.I.R.
PERMISSIBLE ECCENTRICITY OF MOUNTING RABBIT	.004 T.I.R.
PERMISSIBLE SHAFT RUNOUT	.002 T.I.R.

Nidec Motor Corporation
St. Louis, Missouri

INFORMATION DISCLOSED ON THIS DOCUMENT IS CONSIDERED PROPRIETARY AND SHALL NOT BE REPRODUCED OR DISCLOSED WITHOUT WRITTEN CONSENT OF NIDEC MOTOR CORPORATION



ISSUED BY
R. KING
APPROVED BY
J. WAIDMANN

IHP_DP_NMCA (MAR-2011) SOLIDEDGE