

EFFECTIVE:  
**07-SEP-16**

SUPERSEDES:  
**09-AUG-16**

# DIMENSION PRINT

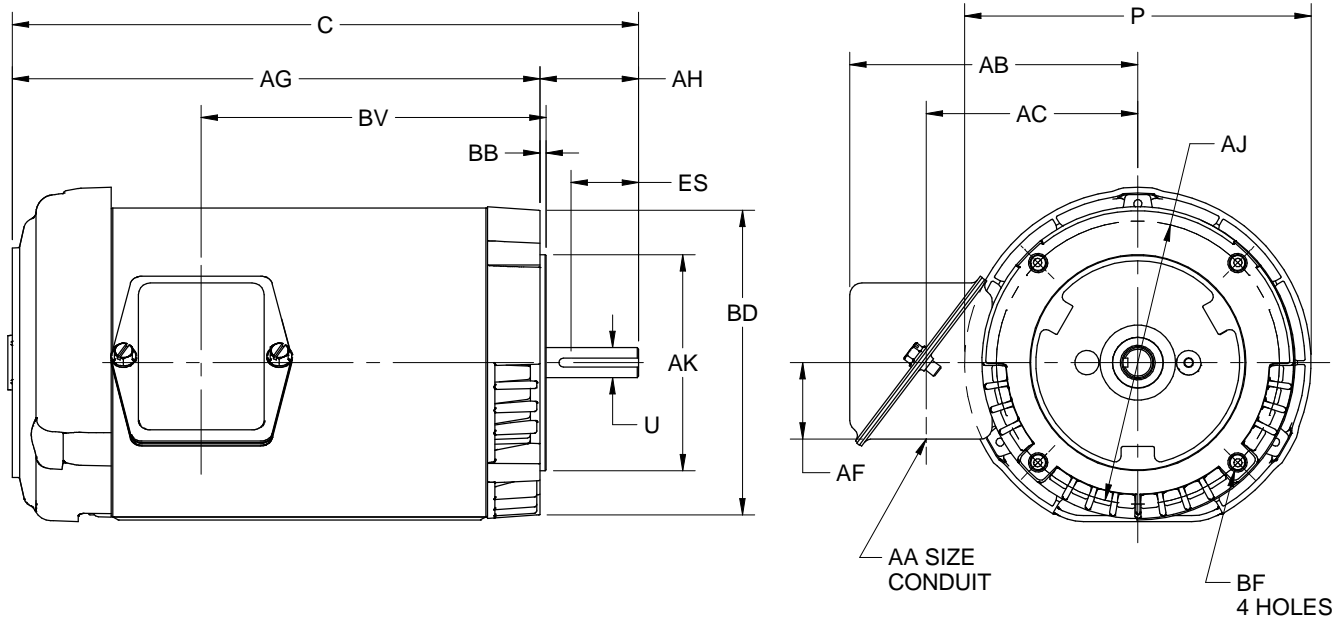
TEFC

FRAME: 56C

BASIC TYPE: UTF

PRINT:  
**07-3060**

SHEET:  
**1 OF 1**



ALL DIMENSIONS ARE IN INCHES AND MILLIMETERS

UNITS	C	P <sup>2</sup>	U -.0005	AA	AB	AC	AF	AG	AH	AJ	AK -.003	BB -.06
IN	13.06	7.25	.6250	.75	6.00	4.41	1.59	11.00	2.06	5.875	4.500	.16
MM	332	184	15.875		152	112	40	279	52	149.23	114.30	5

UNITS	BD MAX	BF <sup>3</sup>	BV	ES MIN	SQ KEY
IN	6.50	3/8-16X.75	7.13	1.41	.188
MM	165		181	36	4.78

1. DIMENSIONS MAY VARY .25" DUE TO CASTING AND/OR FABRICATION VARIATIONS.
2. LARGEST MOTOR WIDTH.
3. TAP SIZE AND BOLT PENETRATION ALLOWANCE.
4. ALL TAPPED HOLES ARE UNIFIED NATIONAL COARSE, RIGHT HAND THREAD.
5. CONDUIT BOX MAY BE LOCATED ON EITHER SIDE OF MOTOR. CONDUIT OPENING MAY BE LOCATED IN STEPS OF 180 DEGREES REGARDLESS OF LOCATION. STANDARD AS SHOWN WITH CONDUIT OPENING DOWN.
6. TOLERANCES ARE IN INCHES.
7. FRAME REFERENCE: 7.750/56"

TOLERANCES	
FACE RUNOUT	.004 T.I.R.
PERMISSIBLE ECCENTRICITY OF MOUNTING RABBET	.004 T.I.R.
PERMISSIBLE SHAFT RUNOUT	.002 T.I.R.

07-3060/B

**Nidec Motor Corporation**  
St. Louis, Missouri

INFORMATION DISCLOSED ON THIS DOCUMENT IS CONSIDERED PROPRIETARY AND SHALL NOT BE REPRODUCED OR DISCLOSED WITHOUT WRITTEN CONSENT OF NIDEC MOTOR CORPORATION



ISSUED BY  
**R. KING**  
APPROVED BY  
**J. O'BRIEN**

IHP\_DP\_NMCA (MAR-2011) SOLIDEDGE