

EFFECTIVE:
01-OCT-15

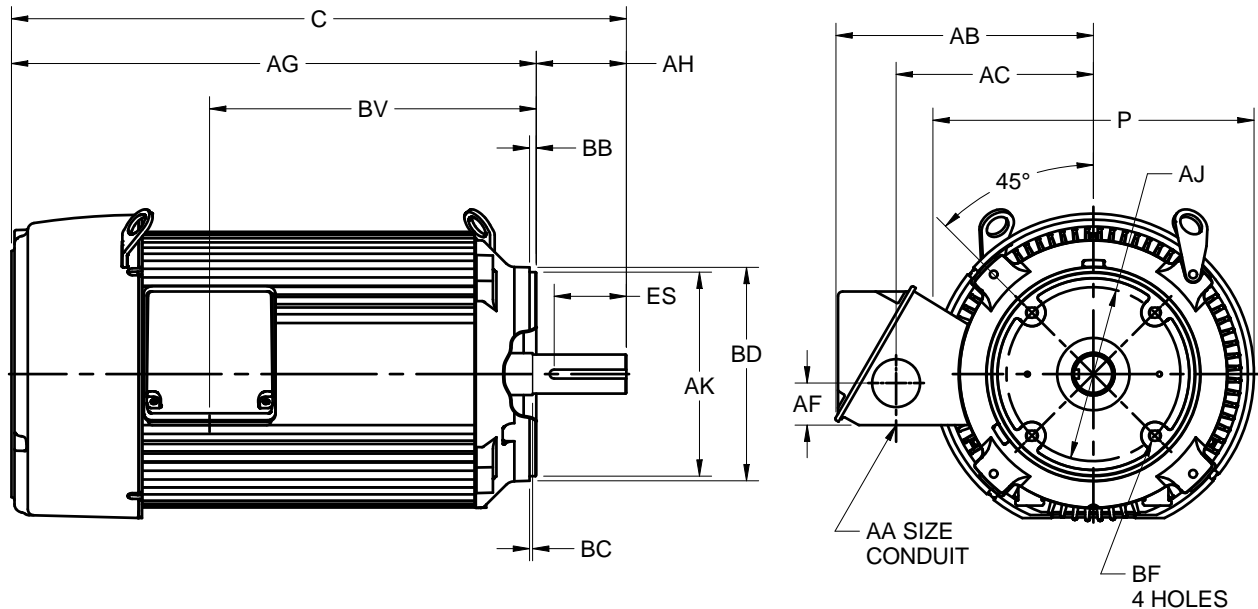
SUPERSEDES:
06-MAR-14

DIMENSION PRINT

UNIMOUNT WITH "C" BRACKET & OVERSIZED OUTLET BOX
FRAME: 250TC
BASIC TYPE: UTF

PRINT:
07-3061

SHEET:
1 OF 1



ALL DIMENSIONS ARE IN INCHES AND MILLIMETERS

UNITS	P ²	U -.001	AA	AB	AC	AF	AH	AJ	AK -.003	BB MIN	BC	BD MAX
IN	13.38	1.625	1.50	10.75	8.25	2.13	3.75	7.250	8.500	.25	.25	10.00
MM	340	41.28		273	210	54	95	184.15	215.90	6	6	254

UNITS	BF ⁶	ES MIN	SQ KEY
IN	1/2-13X.75	2.91	.375
MM		74	9.53

FRAME	UNITS	C	AG	BV
254TC	IN	23.88	20.13	11.88
	MM	607	511	302
256TC	IN	25.63	21.88	13.63
	MM	651	556	346

1. ALL ROUGH CASTING DIMENSIONS MAY VARY BY .25" DUE TO CASTING AND/OR FABRICATION VARIATIONS.
2. LARGEST MOTOR WIDTH.
3. CONDUIT BOX MAY BE LOCATED ON EITHER SIDE OF MOTOR. CONDUIT OPENINGS MAY BE LOCATED IN STEPS OF 180 DEGREES REGARDLESS OF LOCATION. STANDARD AS SHOWN WITH CONDUIT OPENING DOWN.
4. TOLERANCES SHOWN ARE IN INCHES ONLY.
5. ALL TAPPED HOLES ARE UNIFIED NATIONAL COARSE, RIGHT HAND THREAD.
6. TAP SIZE AND BOLT PENETRATION ALLOWANCE.
7. FRAME REFERENCE: 254/12.500/256/14.250.

TOLERANCES	
FACE RUNOUT	.004 T.I.R.
PERMISSIBLE ECCENTRICITY OF MOUNTING RABBET	.004 T.I.R.
PERMISSIBLE SHAFT RUNOUT	.002 T.I.R.

07-3061/B

Nidec Motor Corporation
St. Louis, Missouri

INFORMATION DISCLOSED ON THIS DOCUMENT IS CONSIDERED PROPRIETARY AND SHALL NOT BE REPRODUCED OR DISCLOSED WITHOUT WRITTEN CONSENT OF NIDEC MOTOR CORPORATION



ISSUED BY
R. KING
 APPROVED BY
J. O'BRIEN

IHP_DP_NMCA (MAR-2011) SOLIDEDGE