

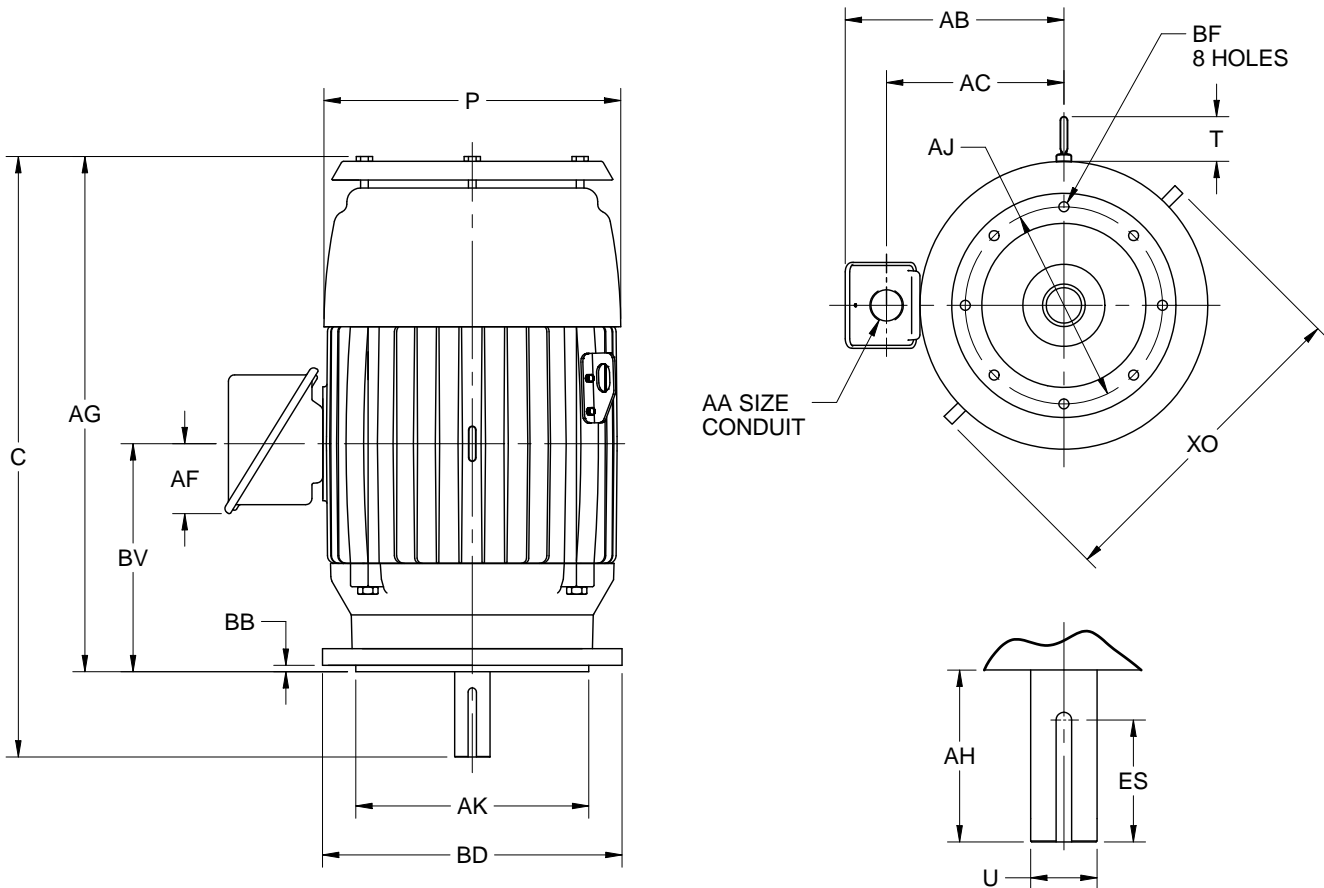
EFFECTIVE:  
14-JUL-15

SUPERSEDES:  
06-OCT-14

**DIMENSION PRINT**  
VERTICALLY MOUNTED  
FRAME: 360TSC  
BASIC TYPE: TCF, CEF

PRINT:  
07-3073

SHEET:  
1 OF 1



ALL DIMENSIONS ARE IN INCHES AND MILLIMETERS

UNITS	C	P <sup>5</sup>	T	U -.001	AA	AB	AC	AF	AG	AH	AJ
IN	30.95	16.75	2.50	1.875	3 NPT	17.13	12.88	4.88	27.45	3.50	11.000
MM	786	425	64	47.63		435	327	124	697	89	279.40

UNITS	AK -.003	BB MIN	BD MAX	BF <sup>2</sup>	BV	ES MIN	SQ KEY	XO
IN	12.500	.25	14.00	5/8-11X.94	12.25	2.03	.500	23.00
MM	317.50	6	356		311	52	12.70	584

TOLERANCES	
FACE RUNOUT	.007 T.I.R.
PERMISSIBLE ECCENTRICITY OF MOUNTING RABBET	.007 T.I.R.
PERMISSIBLE SHAFT RUNOUT	.003 T.I.R.
FOR SPECIAL SHAFT RUNOUT (BALL BRG)	.0015 T.I.R.

1. ALL ROUGH CASTING DIMENSIONS MAY VARY BY .25" DUE TO CASTING AND/OR FABRICATION VARIATIONS.
2. TAP SIZE AND BOLT PENETRATION ALLOWANCE.
3. ALL TAPPED HOLES ARE UNIFIED NATIONAL COARSE, RIGHT HAND THREAD.

4. CONDUIT OPENING MAY BE LOCATED IN STEPS OF 90 DEGREES.
5. LARGEST MOTOR WIDTH.
6. TOLERANCES SHOWN ARE IN INCHES ONLY.
7. THIS UNIT MAY HAVE HORIZONTAL LIFTING, VERTICAL LIFTING OR BOTH.

07-3073/B

**Nidec Motor Corporation**  
St. Louis, Missouri

INFORMATION DISCLOSED ON THIS DOCUMENT IS CONSIDERED PROPRIETARY AND SHALL NOT BE REPRODUCED OR DISCLOSED WITHOUT WRITTEN CONSENT OF NIDEC MOTOR CORPORATION



ISSUED BY  
**G. MARTINEZ**  
APPROVED BY  
**E. LUNA**

IHP\_DP\_NMCA (MAR-2011) SOLIDEDGE