

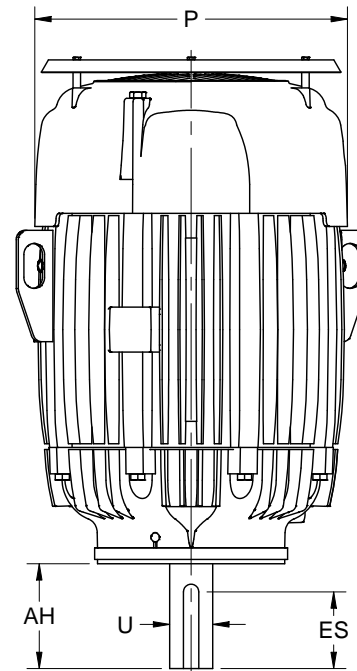
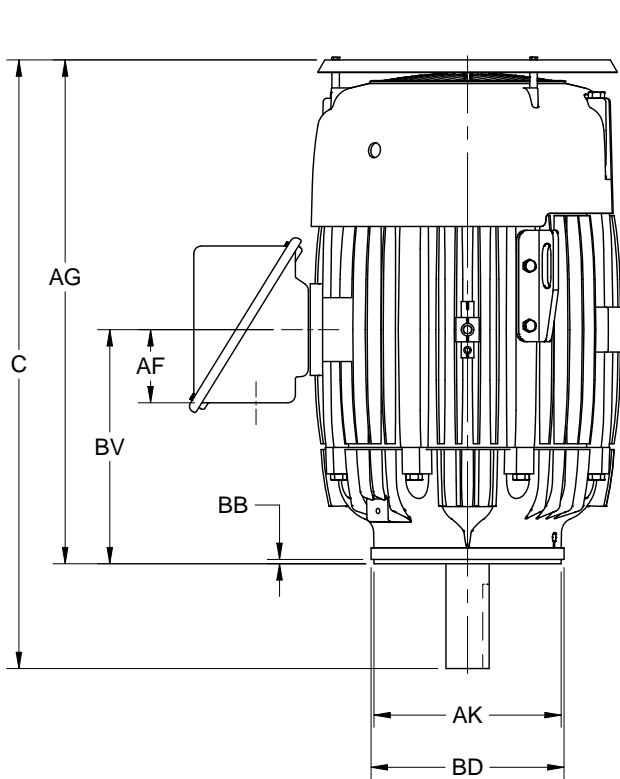
EFFECTIVE:
19-AUG-14

SUPERSEDES:
07-FEB-14

DIMENSION PRINT
TEFC, VERTICALLY MOUNTED
FRAME: 400TC
BASIC TYPE: TCF

PRINT:
07-3076

SHEET:
1 OF 1



AA
1 1/2 NPT
2 NPT
3 NPT

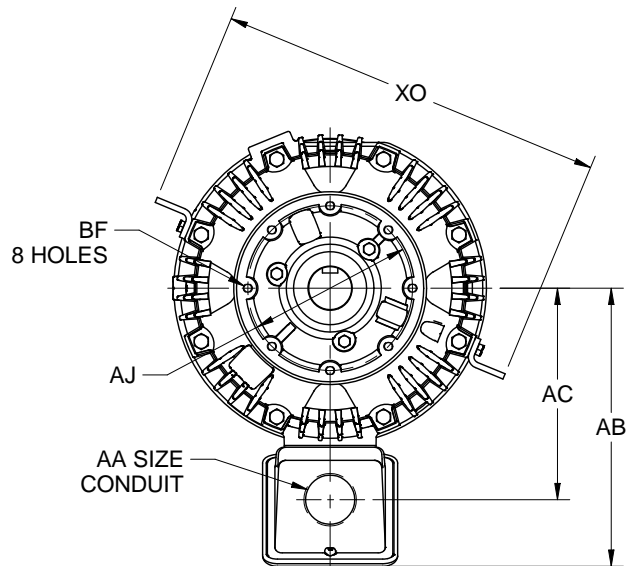
ALL DIMENSIONS ARE IN INCHES AND MILLIMETERS

UNITS	C	P ⁵	U -.001	AB
IN	40.63	20.88	2.875	18.56
MM	1032	530	73.03	472

UNITS	AC	AF	AG	AH
IN	14.13	4.88	33.63	7.00
MM	359	124	854	178

UNITS	AJ	AK -.003	BB MIN	BD MAX
IN	11.000	12.500	.25	15.50
MM	279.40	317.50	6	394

UNITS	BF ²	BV	ES MIN	SQ KEY	XO
IN	5/8-11 X .94	15.63	5.65	.750	25.96
MM		397	144	19.05	659



TOLERANCES	
FACE RUNOUT	.007 T.I.R.
PERMISSIBLE ECCENTRICITY OF MOUNTING RABBET	.007 T.I.R.
PERMISSIBLE SHAFT RUNOUT	.003 T.I.R.

1. DIMENSIONS MAY VARY BY .25" DUE TO CASTING AND/OR FABRICATION VARIATIONS.
2. TAP SIZE AND BOLT PENETRATION ALLOWANCE.
3. ALL TAPPED HOLES ARE UNIFIED NATIONAL COARSE, RIGHT HAND THREAD.

4. CONDUIT OPENING MAY BE LOCATED IN STEPS OF 90 DEGREES. STANDARD AS SHOWN WITH CONDUIT OPENING DOWN.
5. LARGEST MOTOR WIDTH.
6. TOLERANCES SHOWN ARE IN INCHES ONLY.

07-3076/A

Nidec Motor Corporation
St. Louis, Missouri

INFORMATION DISCLOSED ON THIS DOCUMENT IS CONSIDERED PROPRIETARY AND SHALL NOT BE REPRODUCED OR DISCLOSED WITHOUT WRITTEN CONSENT OF NIDEC MOTOR CORPORATION



ISSUED BY
K. FRIEDMAN
APPROVED BY
J. O'BRIEN

IHP_DP_NMCA (MAR-2011) SOLIDEDGE