

EFFECTIVE:  
**22-APR-14**

# HORIZONTAL MOTORS

## TEFC WASHDOWN DUTY WITH "C" BRACKET

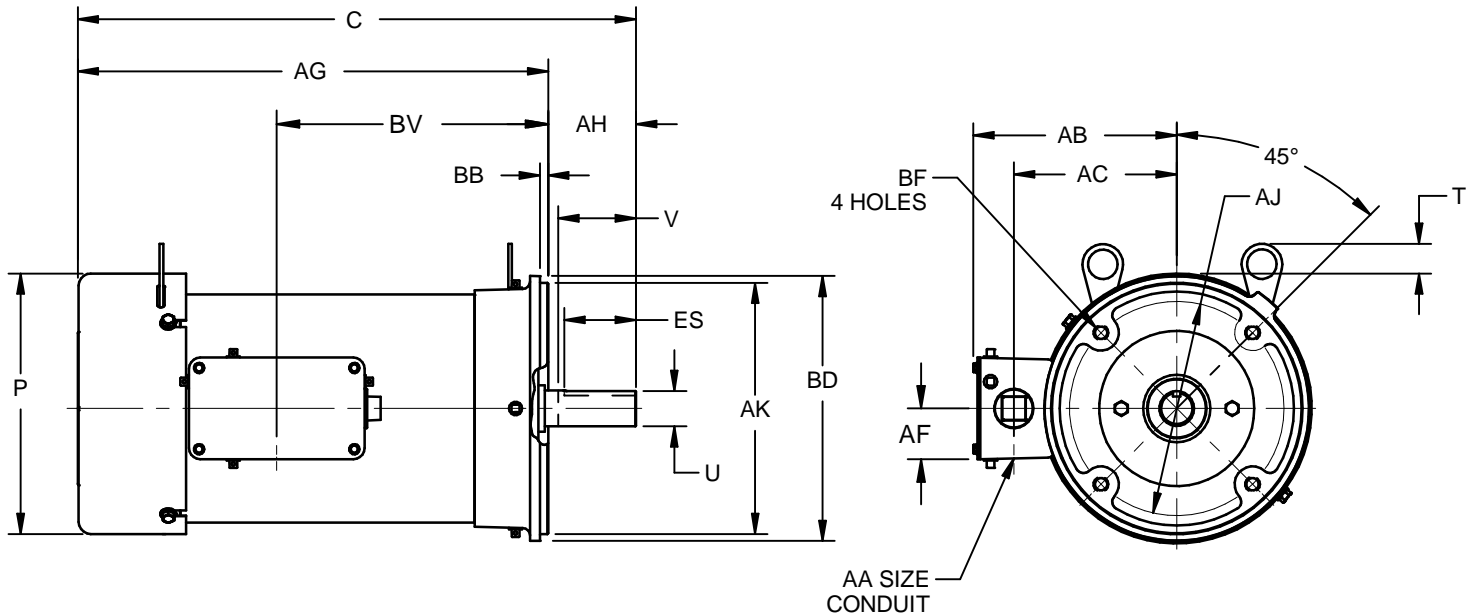
PRINT:  
**07-3091**

SUPERSEDES:  
**04-OCT-13**

FRAME: 182-184TC  
BASIC TYPE: PFF, SSF

SHEET:  
**1 OF 1**

### STANDARD F-1 ASSEMBLY



ALL DIMENSIONS ARE IN INCHES AND MILLIMETERS

BASIC SIZE	UNITS	C	P <sup>2</sup>	T	U -.001	V MIN	AA	AB	AC	AF	AG	AH ±.031	AJ	AK -.003
180	IN	18.53	9.13	1.03	1.125	2.59	1.00	6.88	5.50	1.72	15.88	2.625	7.250	8.500
	MM	471	232	26	28.58	66		175	140	44	403	66.68	184.15	215.90

BASIC SIZE	UNITS	BD MAX	BF <sup>3</sup>	BV	ES MIN	SQ KEY
180	IN	8.94	1/2-13 X .75	9.19	1.81	.250
	MM	227		233	46	6.35

- 1: ALL ROUGH DIMENSIONS MAY VARY BY .25" DUE TO CASTING AND/OR FABRICATION VARIATIONS.
- 2: LARGEST MOTOR WIDTH.
- 3: TAP SIZE AND BOLT PENETRATION ALLOWANCE.
- 4: ALL TAPPED HOLES ARE UNIFIED NATIONAL COARSE, RIGHT HAND THREAD.
- 5: CONDUIT BOX MAY BE LOCATED ON EITHER SIDE AND CONDUIT OPENING MAY BE LOCATED IN STEPS OF 90 DEGREES REGARDLESS OF LOCATION. STANDARD AS SHOWN WITH CONDUIT OPENING DOWN.
- 6: TOLERANCES SHOWN ARE IN INCHES ONLY.
- 7: FRAME REFERENCE: 10.250"/182/184

TOLERANCES	
FACE RUNOUT	.004 TIR
PERMISSIBLE ECCENTRICITY OF MOUNTING RABBET	.004 TIR
PERMISSIBLE SHAFT RUNOUT	.002 TIR

07-3091/A

**Nidec Motor Corporation**  
St. Louis, Missouri

INFORMATION DISCLOSED ON THIS DOCUMENT IS CONSIDERED PROPRIETARY AND SHALL NOT BE REPRODUCED OR DISCLOSED WITHOUT WRITTEN CONSENT OF NIDEC MOTOR CORPORATION



ISSUED BY  
**R. TIMMERMANN**  
APPROVED BY  
**M. CULLEN**

IHP\_DP\_NMCA (MAR-2011) SOLIDEDGE