

EFFECTIVE:
14-APR-14

HORIZONTAL MOTORS

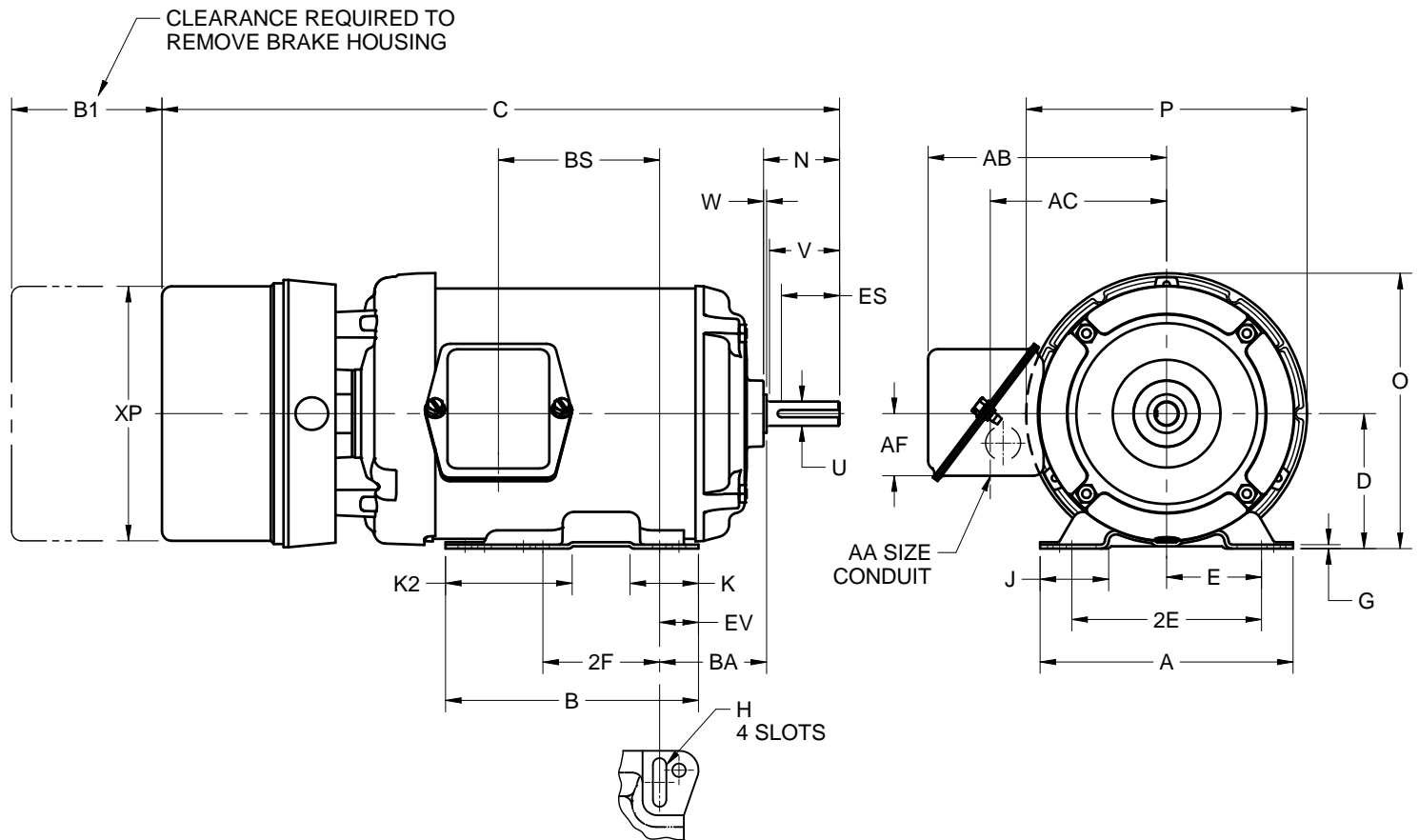
TEFC - WITH STEARNS BRAKE

PRINT:
07-3122

SUPERSEDES:
NEW

FRAME: 56
BASIC TYPE: UT

SHEET:
1 OF 1



ALL DIMENSIONS ARE IN INCHES AND MILLIMETERS

UNITS	A	B	C	D -.06	E	2E ±.03	2F ±.03	G	H +.05	J	K	K2
IN	6.50	6.50	17.41	3.50	2.44	4.88	3.00	.13	.34 X 1.25	1.75	1.75	3.25
MM	165	165	442	89	62	124	76	3		44	44	83

UNITS	N	O	P ²	U -.0005	V MIN	W	AA ³	AB	AC	AF	BA	BS
IN	1.96	7.16	7.25	.6250	1.88	.08	.75	6.13	4.53	1.59	2.75	4.14
MM	50	182	184	15.875	48	2		156	115	40	70	105

UNITS	B1	ES MIN	EV	XP	SQ KEY
IN	2.94	1.41	1.00	6.54	.188
MM	75	36	25	166	4.78

NOTE:
THIS PRINT IS GOOD FOR MOTORS WITH STEARNS BRAKE
56.3XX SERIES, (NEMA 1) ENCLOSURE RANGING FROM 1.5
THRU 15 LB. FT.

1. DIMENSIONS MAY VARY .25" DUE TO CASTING AND/OR FABRICATION VARIATIONS
2. LARGEST MOTOR WIDTH
3. BASIC CONDUIT FITTING SIZE. HOLE OPENING ON THE SIDE OF THE CONDUIT BOX (REPRESENTED BY A DASHED CIRCLE) WILL ACCEPT A .50 BASIC CONDUIT FITTING
4. THE CONDUIT BOX MAY BE LOCATED ON EITHER SIDE OF THE MOTOR. THE CONDUIT OPENING(S) MAY BE LOCATED IN STEPS OF 180° REGARDLESS OF LOCATION. STANDARD LOCATION IS SHOWN WITH THE CONDUIT OPENING DOWN
5. TOLERANCES ARE SHOWN IN INCHES ONLY
6. FRAME REFERENCE; 6.75/56

07-3122/-

Nidec Motor Corporation
St. Louis, Missouri

INFORMATION DISCLOSED ON THIS DOCUMENT
IS CONSIDERED PROPRIETARY AND SHALL NOT BE
REPRODUCED OR DISCLOSED WITHOUT WRITTEN
CONSENT OF NIDEC MOTOR CORPORATION



ISSUED BY
R. TIMMERMANN
APPROVED BY
M. CULLEN

IHP_DP_NMCA (MAR-2011) SOLIDEDGE