

EFFECTIVE:  
**05-FEB-15**

# DIMENSION PRINT

## INVERTER DUTY WITH C-FACE BRACKET

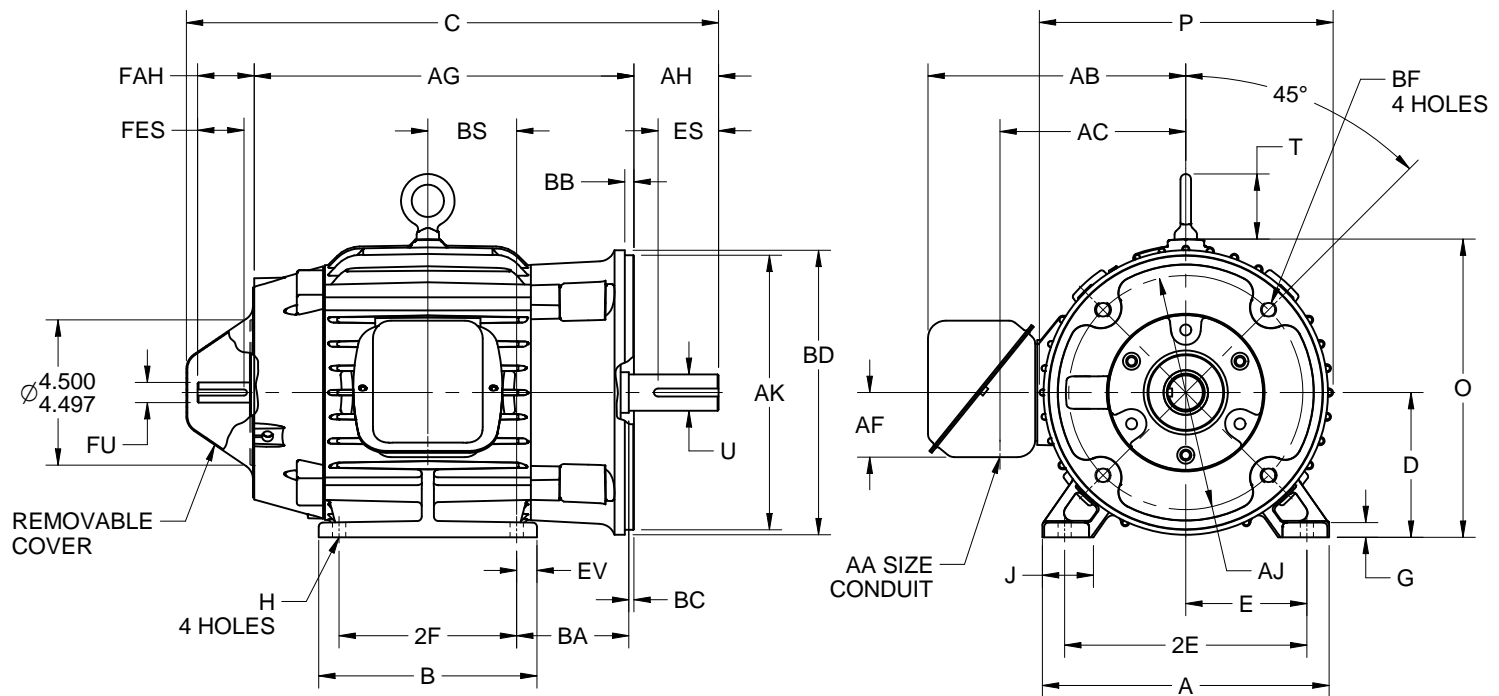
PRINT:  
**07-3150**

SUPERSEDES:  
**NEW**

FRAME: 182, 184TC  
BASIC TYPE: CTNI

SHEET:  
**1 OF 2**

FOR ENCODER AND BRAKE CONFIGURATIONS SEE SHEET 2



ALL DIMENSIONS ARE IN INCHES AND MILLIMETERS

UNITS	A	B	C	D	E	2E	G	H	J	O	P <sup>2</sup>	U
IN	8.88	6.75	16.48	4.50	3.75	7.50	.50	.41	1.50	9.22	9.13	1.1250
MM	226	171	419	114	95	191	13	10	38	234	232	28.575

UNITS	T	AA	AB	AC	AF	AG	AH	AJ	AK	BA	BB	BC
IN	2.00	.75	8.00	5.75	2.00	11.75	2.63	7.250	8.500	3.50	.25	.13
MM	51		203	146	51	298	67	184.15	215.90	89	6	3

UNITS	BD	BF <sup>3,4</sup>	BS	ES	EV	FAH	FES	FU	DE	ODE
IN	9.00	1/2-13 X .75	2.75	1.78	.63	1.75	1.38	.6250	.250	.188
MM	229		70	45	16	44	35	15.875	6.35	4.78

FRAME	UNITS	2F
182TC	IN	4.50
	MM	114
184TC	IN	5.50
	MM	140

TOLERANCES	
FACE RUNOUT	.004 TIR
PERMISSIBLE ECCENTRICITY OF MOUNTING RABBET	.004 TIR
PERMISSIBLE SHAFT RUNOUT	.002 TIR

1. DIMENSIONS MAY VARY .25" DUE TO CASTING AND/OR FABRICATION VARIATIONS
2. LARGEST MOTOR WIDTH
3. ALL TAP HOLES ARE UNIFIED NATIONAL COARSE, RIGHT HAND THREAD
4. TAP SIZE AND BOLT PENETRATION ALLOWANCE
5. STANDARD ASSEMBLY POSITION F-1 IS SHOWN. F-2 IS PROVIDED WHEN SPECIFIED. CONDUIT OPENINGS MAY BE LOCATED IN STEPS OF 90° REGARDLESS OF THE LOCATION
6. TOLERANCES ARE SHOWN IN INCHES ONLY

07-3150/-

**Nidec Motor Corporation**  
St. Louis, Missouri

INFORMATION DISCLOSED ON THIS DOCUMENT  
IS CONSIDERED PROPRIETARY AND SHALL NOT BE  
REPRODUCED OR DISCLOSED WITHOUT WRITTEN  
CONSENT OF NIDEC MOTOR CORPORATION



ISSUED BY  
**R. TIMMERMANN**  
APPROVED BY  
**M. CULLEN**

IHP\_DP\_NMCA (MAR-2011) SOLIDEDGE

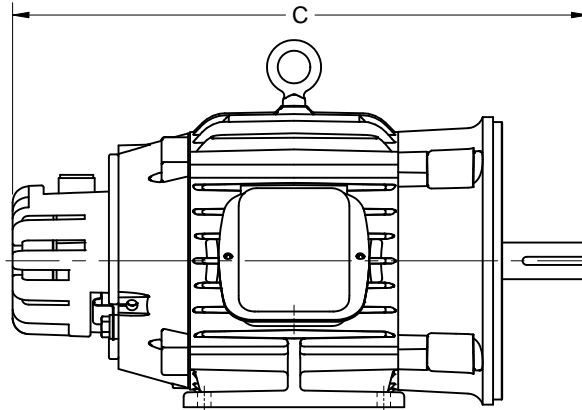
EFFECTIVE:  
**05-FEB-15**

SUPERSEDES:  
**NEW**

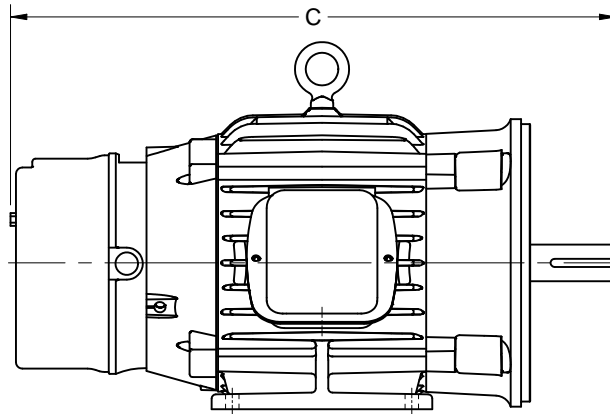
**DIMENSION PRINT**  
INVERTER DUTY WITH C-FACE BRACKET  
FRAME: 182, 184TC  
BASIC TYPE: CTNI

PRINT:  
**07-3150**

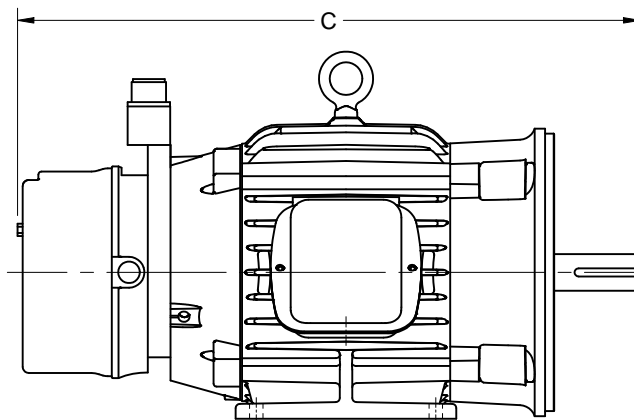
SHEET:  
**2 OF 2**



**ACCOMMODATE SHAFT MOUNTED ENCODER**  
FOR DYNAPAR ENCODER KIT ADD 1.20" TO THE "C" DIMENSION  
FOR EPC ENCODER KIT ADD .76" TO THE "C" DIMENSION



**ACCOMMODATE BRAKE**  
FOR BRAKE ADD 2.13" TO THE "C" DIMENSION



**ACCOMMODATE FLANGE MOUNT ENCODER AND BRAKE**  
FOR BRAKE WITH SL56 ENCODER ADD 3.00" TO THE "C" DIMENSION  
FOR BRAKE WITH AV56 ENCODER ADD 3.13" TO THE "C" DIMENSION

**Nidec Motor Corporation**  
St. Louis, Missouri

INFORMATION DISCLOSED ON THIS DOCUMENT  
IS CONSIDERED PROPRIETARY AND SHALL NOT BE  
REPRODUCED OR DISCLOSED WITHOUT WRITTEN  
CONSENT OF NIDEC MOTOR CORPORATION



ISSUED BY  
**R. TIMMERMANN**  
APPROVED BY  
**M. CULLEN**