

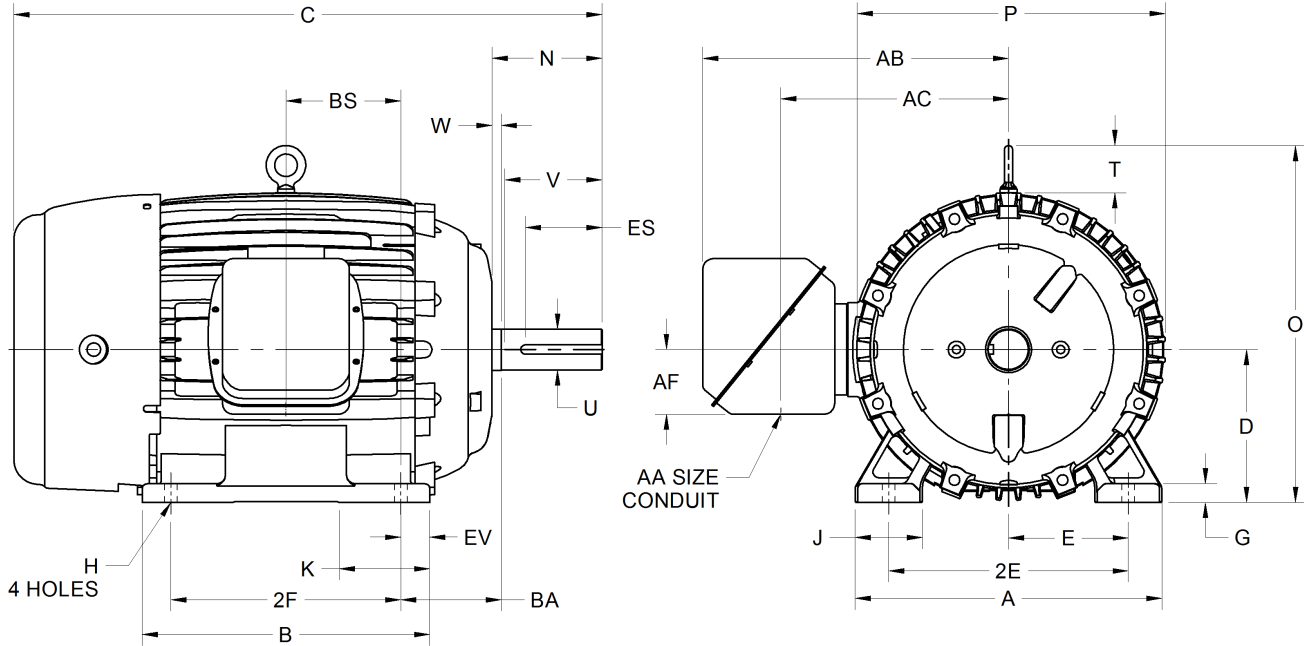
EFFECTIVE:
06-APR-15

SUPERSEDES:
NEW

DIMENSION PRINT
HOSTILE DUTY WITH OVERSIZED OUTLET BOX
FRAME: 324, 326T, TS
BASIC TYPE: CT

PRINT:
07-3198

SHEET:
1 OF 1



ALL DIMENSIONS ARE IN INCHES AND MILLIMETERS

UNITS	A	B	D -.06	E	2E ±.03	G	H +.05	J	K	O	P ²
IN	16.00	15.00	8.00	6.25	12.50	1.00	.66	3.50	4.75	16.19	16.38
MM	406	381	203	159	318	25	17	89	121	411	416

UNITS	T	W	AA	AB	AC	AF	BA	BS	EV	SQ KEY
IN	2.50	.47	3.00	15.97	11.88	3.38	5.25	6.00	1.50	.500
MM	64	12		406	302	86	133	152	38	12.70

FRAME	UNITS	C	N	U -.001	V MIN	ES MIN
324, 326T	IN	30.69	5.75	2.125	5.00	3.91
	MM	780	146	53.98	127	99
324, 326TS	IN	29.19	4.25	1.875	3.50	2.03
	MM	741	108	47.63	89	52

FRAME	UNITS	2F ±.03
324T, TS	IN	10.50
	MM	267
326T, TS	IN	12.00
	MM	305

- DIMENSIONS MAY VARY .25" DUE TO CASTING AND/OR FABRICATION VARIATIONS
- LARGEST MOTOR WIDTH
- STANDARD ASSEMBLY POSITION F-1 IS SHOWN. F-2 IS PROVIDED WHEN SPECIFIED. CONDUIT OPENINGS MAY BE LOCATED IN STEPS OF 90° REGARDLESS OF THE LOCATION
- TOLERANCES ARE SHOWN IN INCHES ONLY

07-3198/-

Nidec Motor Corporation
St. Louis, Missouri

INFORMATION DISCLOSED ON THIS DOCUMENT
 IS CONSIDERED PROPRIETARY AND SHALL NOT BE
 REPRODUCED OR DISCLOSED WITHOUT WRITTEN
 CONSENT OF NIDEC MOTOR CORPORATION



ISSUED BY
R. TIMMERMANN
 APPROVED BY
M. CULLEN

IHP_DP_NMCA (MAR-2011) SOLIDEDGE