

EFFECTIVE:
15-MAR-16

SUPERSEDES:
10-DEC-15

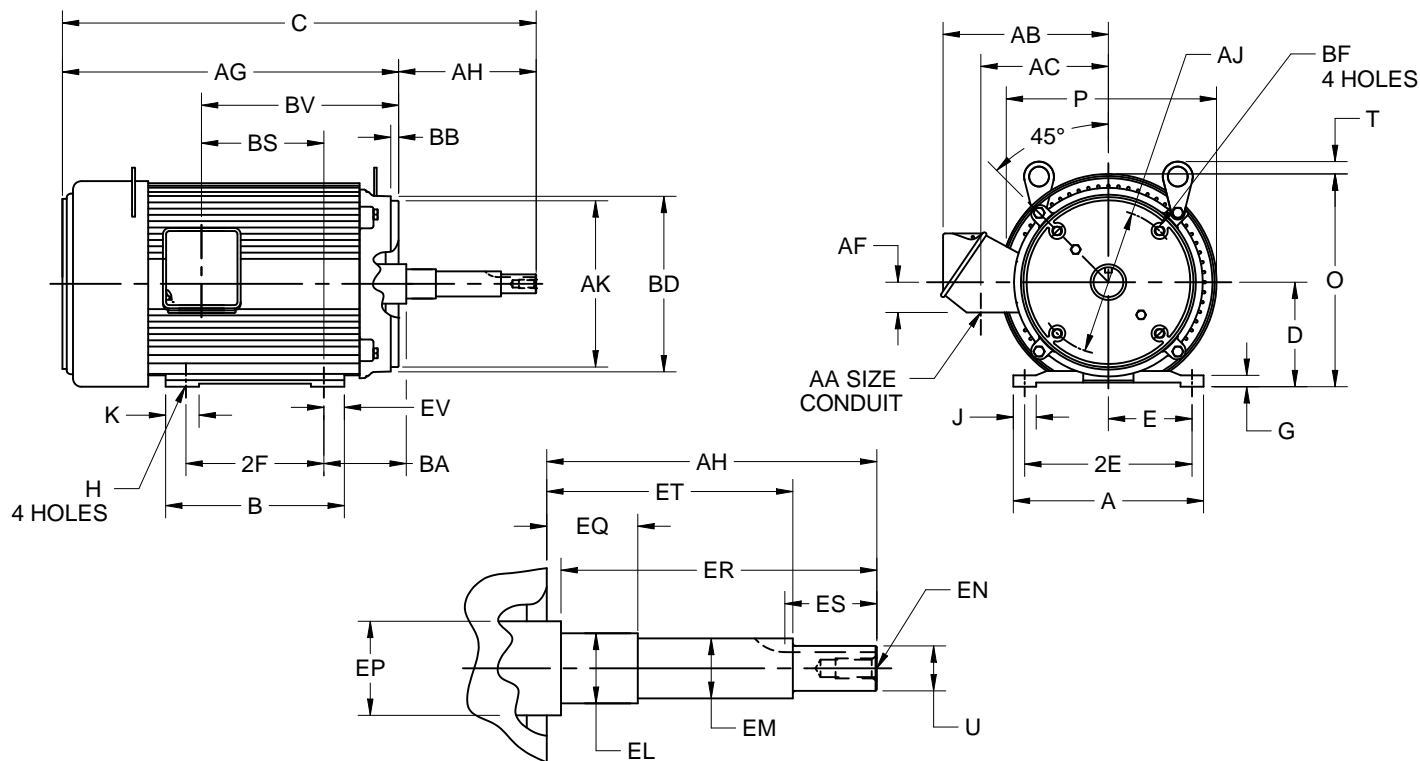
DIMENSION PRINT

UNIMOUNT CLOSE-COUPLED PUMP, W/OVERSIZED OUTLET BOX

FRAME: 256JP, JM
BASIC TYPE: UT1, UT4

PRINT:
07-3237

SHEET:
1 OF 1



ALL DIMENSIONS ARE IN INCHES AND MILLIMETERS

UNITS	A	B	D	E	2E	2F	G	H	J	K	O	P ²
IN	11.38	12.44	6.25	5.00	10.00	10.00	.69	.53	1.38	2.00	12.94	13.38
MM	289	316	159	127	254	254	18	13	35	51	329	340

UNITS	T	U	AA	AB	AC	AF	AG	AJ	AK	BA	BB	BD
IN	0	1.2495	1.50	10.81	8.25	2.13	21.88	7.250	8.500	4.75	.313	10.00
MM	0	31.737	38	275	210	54	556	184.15	215.90	121	7.95	254

UNITS	BF ⁷	BS	BV	EL	EM	EN ⁷	EP	ES	EV	SQ
IN	1/2-13 X .75	8.63	13.63	1.75	1.3750	1/2-13 X 1	1.75	2.53	1.22	.250
MM		219	346	44	34.925		44	64	31	6.35

FRAME	UNITS	C	AH	EQ	ER	ET
B256JP	IN	30.00	8.125	2.375	8.13	5.875
	MM	762	206.38	60.33	207	149.23
B256JM	IN	27.13	5.250	0.625	5.25	3.000
	MM	689	133.35	15.88	133	76.20

TOLERANCES	
FACE RUNOUT	.004 T.I.R.
PERMISSIBLE ECCENTRICITY OF MOUNTING RABBET	.004 T.I.R.
PERMISSIBLE SHAFT RUNOUT	.002 T.I.R.

- ALL ROUGH CASTING DIMENSIONS MAY VARY BY .25" DUE TO CASTING AND/OR FABRICATION VARIATIONS.
- LARGEST MOTOR WIDTH.
- FRAME REFERENCE: 14.250" / 256.

- CONDUIT BOX MAY BE LOCATED ON EITHER SIDE OF MOTOR. CONDUIT OPENINGS MAY BE LOCATED IN STEPS OF 180 DEGREES REGARDLESS OF LOCATION. STANDARD AS SHOWN WITH CONDUIT OPENING DOWN.
- TOLERANCES SHOWN ARE IN INCHES ONLY.
- ALL TAPPED HOLES ARE UNIFIED NATIONAL COARSE, RIGHT HAND THREAD.
- TAP SIZE AND BOLT PENETRATION ALLOWANCE.

07-3237/-

Nidec Motor Corporation
St. Louis, Missouri

INFORMATION DISCLOSED ON THIS DOCUMENT IS CONSIDERED PROPRIETARY AND SHALL NOT BE REPRODUCED OR DISCLOSED WITHOUT WRITTEN CONSENT OF NIDEC MOTOR CORPORATION



ISSUED BY
F. CRUZ
APPROVED BY
D. PEREZ

IHP_DP_NMCA (MAR-2011) SOLIDEDGE