

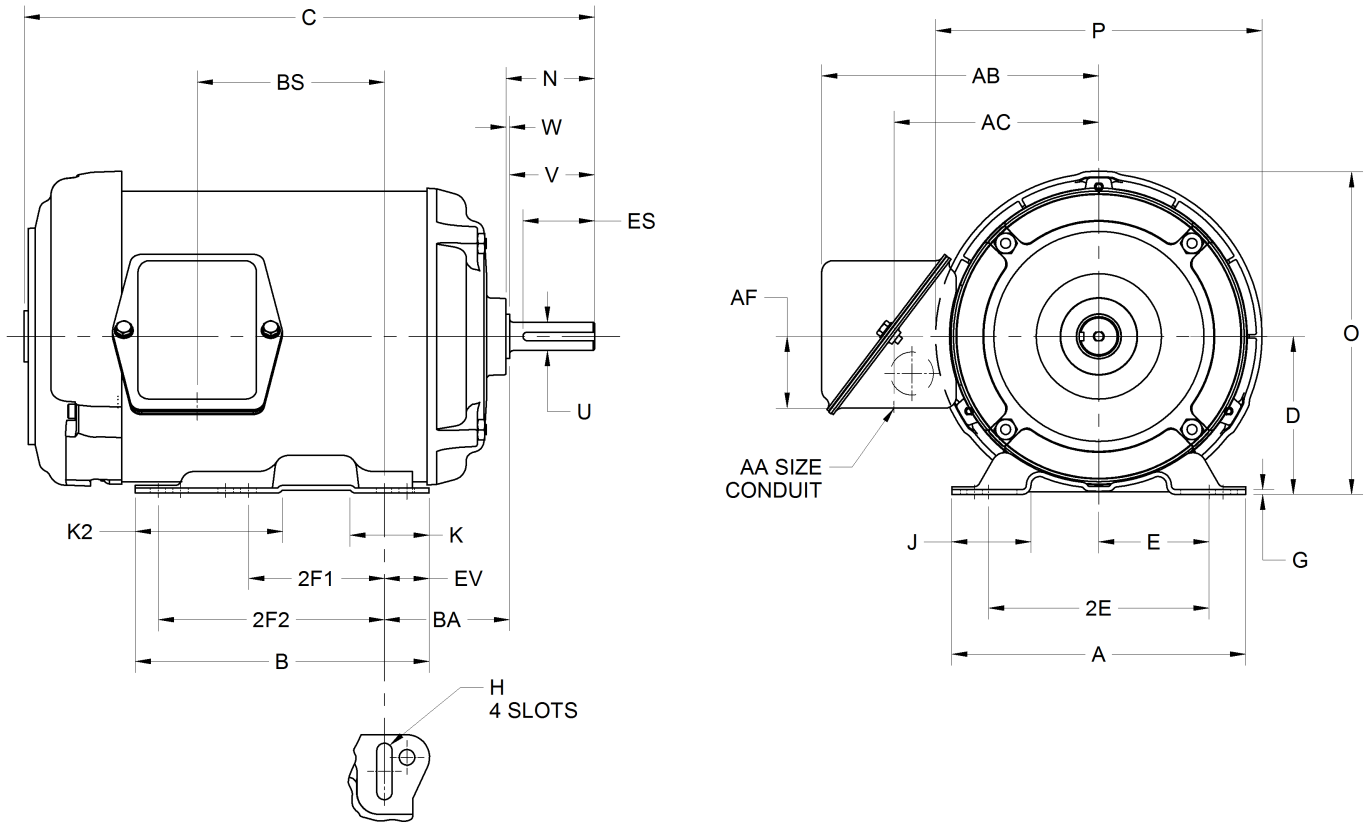
EFFECTIVE:
05-JUL-16

SUPERSEDES:
NEW

DIMENSION PRINT
TEFC WITH MULTI-MOUNT BASE
FRAME: 56H, HZ
BASIC TYPE: UT

PRINT:
07-3247

SHEET:
1 OF 1



ALL DIMENSIONS ARE IN INCHES AND MILLIMETERS

UNITS	A	B	C	D -.06	E	2E ±.03	G	H +.05	J	K	K2	N	O
IN	6.50	6.50	12.59	3.50	2.44	4.88	.13	.34 X 1.25	1.75	1.75	3.25	1.96	7.16
MM	165	165	320	89	62	124	3	9 X 32	44	44	83	50	182

UNITS	P ²	U -.0005	V MIN	W	AA ³	AB	AC	AF	BA	BS	ES MIN	EV	SQ KEY
IN	7.31	.6250	1.88	.08	.75	6.13	4.53	1.59	2.75	4.14	1.41	1.00	.188
MM	186	15.875	48	2		156	115	40	69	105	36	25	4.78

FRAME	UNITS	2F1 ±.03
56H	IN	3.00
	MM	76

FRAME	UNITS	2F2 ±.03
56HZ	IN	5.00
	MM	127

- DIMENSIONS MAY VARY .25" DUE TO CASTING AND/OR FABRICATION VARIATIONS
- LARGEST MOTOR WIDTH
- BASIC CONDUIT FITTING SIZE. HOLE OPENING ON THE SIDE OF THE CONDUIT BOX (REPRESENTED BY A DASHED CIRCLE) WILL ACCEPT A .50 BASIC CONDUIT FITTING
- THE CONDUIT BOX MAY BE LOCATED ON EITHER SIDE OF THE MOTOR. THE CONDUIT OPENING(S) MAY BE LOCATED IN STEPS OF 180° REGARDLESS OF LOCATION. STANDARD LOCATION IS SHOWN WITH THE CONDUIT OPENING DOWN
- TOLERANCES ARE SHOWN IN INCHES ONLY
- FRAME REFERENCE; 6.75/56

07-3247/-

Nidec Motor Corporation
St. Louis, Missouri

INFORMATION DISCLOSED ON THIS DOCUMENT IS CONSIDERED PROPRIETARY AND SHALL NOT BE REPRODUCED OR DISCLOSED WITHOUT WRITTEN CONSENT OF NIDEC MOTOR CORPORATION



ISSUED BY
F. CRUZ
APPROVED BY
G. CORONADO

IHP_DP_NMCA (MAR-2011) SOLIDEDGE