

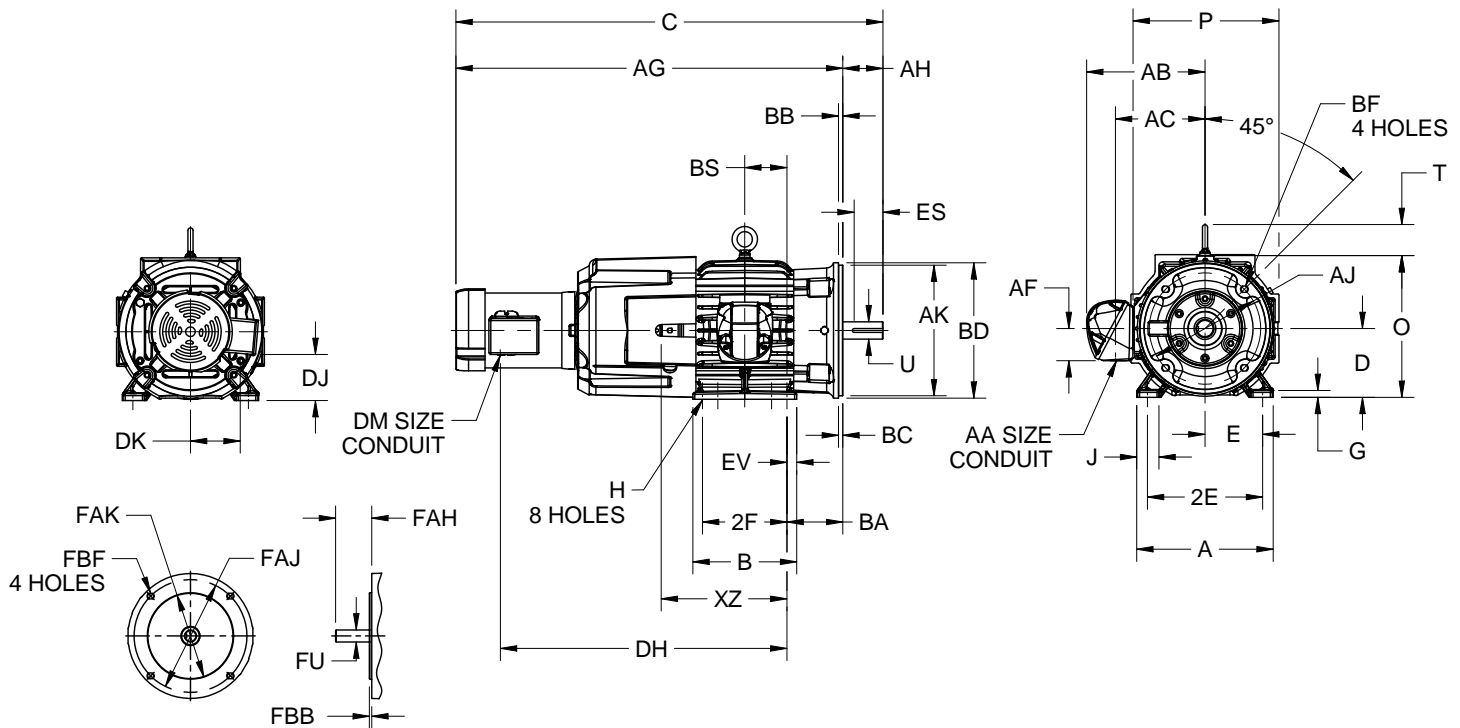
EFFECTIVE:
01-JUL-20

SUPERSEDES:
07-SEP-17

DIMENSION PRINT
TEBC (AXIAL)
FRAME: 180TC
BASIC TYPE: TCB, TCBI

PRINT:
07-3259

SHEET:
1 OF 1



ENCODER MOUNTING INSIDE BLOWER ENCLOSURE

ALL DIMENSIONS ARE IN INCHES AND MILLIMETERS

UNITS	A	B	C	D -.06	E	2E ±.03	G	H +.05	J	O	P ²	U -.001
IN	8.88	6.76	27.81	4.48	3.75	7.50	.46	.41	1.44	9.23	9.50	1.125
MM	226	172	706	114	95	191	11	10	37	234	241	28.57

UNITS	T	AA	AB	AC	AF	AG	AH	AJ	AK -.003	BA	BB MIN	BC
IN	2.02	1.00 NPT	7.71	5.83	2.09	25.19	2.62	7.250	8.500	3.63	.28	.28
MM	51		196	148	53	640	67	184.15	215.90	92	7	7

UNITS	BD MAX	BF ^{3,4}	BS	DH	DJ	DK	DM	ES MIN	EV	FU -.0005	FAH	FAJ
IN	8.81	1/2-13 X 1.06	2.75	18.66	3.00	3.24	.50	1.88	.63	.6250	1.88	5.875
MM	224		70	474	76	82		48	16	15.875	48	149.22

UNITS	FAK -.002	FBB MIN	FBF ^{3,4}	SQ KEY	XZ
IN	4.500	.16	3/8-16 X .56	.250	8.20
MM	114.30	4		6.35	208

FRAME	UNITS	2F ±.03
182TC	IN	4.50
	MM	114
184TC	IN	5.50
	MM	140

TOLERANCES	
FACE RUNOUT	.004 T.I.R.
PERMISSIBLE ECCENTRICITY OF MOUNTING RABBET	.004 T.I.R.
PERMISSIBLE SHAFT RUNOUT	.002 T.I.R.

1. DIMENSIONS MAY VARY .25" DUE TO CASTING AND/OR FABRICATION VARIATIONS
2. LARGEST MOTOR WIDTH
3. ALL TAP HOLES ARE UNIFIED NATIONAL COARSE, RIGHT HAND THREAD
4. TAP SIZE AND BOLT PENETRATION ALLOWANCE
5. STANDARD ASSEMBLY POSITION F-1 IS SHOWN. F-2 IS PROVIDED WHEN SPECIFIED. CONDUIT OPENINGS MAY BE LOCATED IN STEPS OF 90° REGARDLESS OF THE LOCATION
6. TOLERANCES ARE SHOWN IN INCHES ONLY

Nidec Motor Corporation
St. Louis, Missouri

INFORMATION DISCLOSED ON THIS DOCUMENT IS CONSIDERED PROPRIETARY AND SHALL NOT BE REPRODUCED OR DISCLOSED WITHOUT WRITTEN CONSENT OF NIDEC MOTOR CORPORATION



ISSUED BY
L. ARROYO
APPROVED BY
T. PALLETT

IHP_DP_NMCA (MAR-2011) SOLIDEDGE