

EFFECTIVE:
07-SEP-17

SUPERSEDES:
NEW

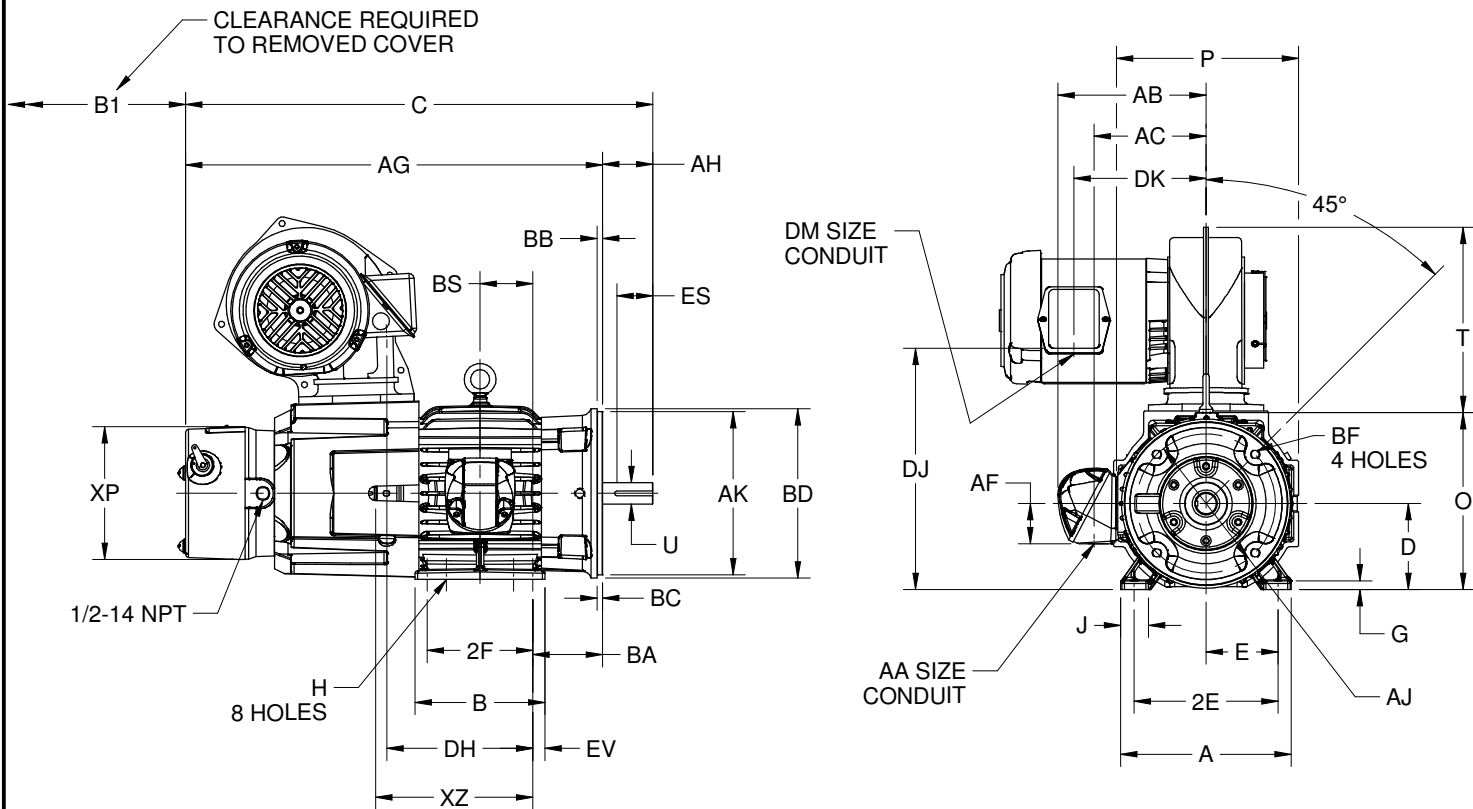
DIMENSION PRINT

RADIAL BLOWER W/BRAKE

FRAME: 180T
BASIC TYPE: TCB, TCBI

PRINT:
07-3260

SHEET:
1 OF 1



ALL DIMENSIONS ARE IN INCHES AND MILLIMETERS

UNITS	A	B	C	D -.06	E	2E ±.03	G	H +.05	J	O	P ²	U -.001	T
IN	8.88	6.76	24.34	4.48	3.75	7.50	.46	.41	1.45	9.23	9.48	1.125	9.65
MM	226	172	618	114	95	191	12	10	37	234	241	28.57	245

UNITS	AA	AB	AC	AF	AG	AH	AJ	AK -.003	B1	BA	BB MIN	BC	BD MAX
IN	1.00 NPT	7.71	5.83	2.09	21.72	2.62	7.250	8.500	4.69	3.63	.28	.28	8.81
MM		196	148	53	552	67	184.15	215.90	119	92	7	7	224

UNITS	BF ^{3,4}	BS	DH	DJ	DK	DM	ES MIN	EV	SQ KEY	XP	XZ
IN	1/2-13 X 1.06	2.75	7.6	12.57	6.88	.50	1.88	.63	.250	6.92	8.20
MM		70	193	319	175		48	16	6.35	176	208

FRAME	UNITS	2F ±.03
182T	IN	4.50
	MM	114
184T	IN	5.50
	MM	140

TOLERANCES	
FACE RUNOUT	.004 T.I.R.
PERMISSIBLE ECCENTRICITY OF MOUNTING RABBET	.004 T.I.R.
PERMISSIBLE SHAFT RUNOUT	.002 T.I.R.

1. DIMENSIONS MAY VARY .25" DUE TO CASTING AND/OR FABRICATION VARIATIONS
2. LARGEST MOTOR WIDTH
3. ALL TAP HOLES ARE UNIFIED NATIONAL COARSE, RIGHT HAND THREAD
4. TAP SIZE AND BOLT PENETRATION ALLOWANCE
5. STANDARD ASSEMBLY POSITION F-1 IS SHOWN. F-2 IS PROVIDED WHEN SPECIFIED. CONDUIT OPENINGS MAY BE LOCATED IN STEPS OF 90° REGARDLESS OF THE LOCATION
6. TOLERANCES ARE SHOWN IN INCHES ONLY

NOTE: THIS DIMENSION PRINT IS GOOD FOR STEARNS SERIES 1-087-0XX-00, IP54 ENCLOSURE, RANGING FROM 50 THRU 75 LB-FT.

Nidec Motor Corporation
St. Louis, Missouri

INFORMATION DISCLOSED ON THIS DOCUMENT IS CONSIDERED PROPRIETARY AND SHALL NOT BE REPRODUCED OR DISCLOSED WITHOUT WRITTEN CONSENT OF NIDEC MOTOR CORPORATION



ISSUED BY
D. CISNEROS
APPROVED BY
T. PALLETT