

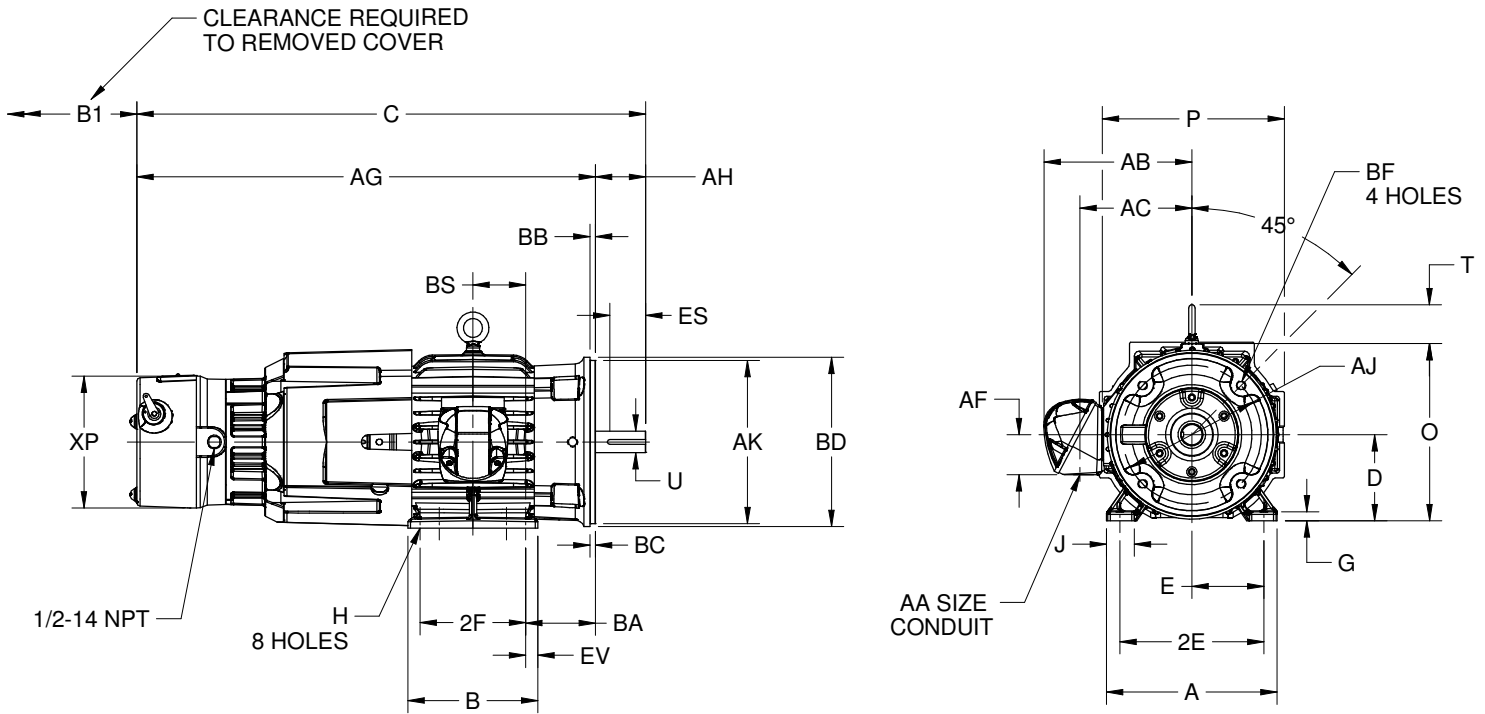
EFFECTIVE:
07-SEP-17

DIMENSION PRINT
TEFC W/ BRAKE
FRAME: 180T
BASIC TYPE: TC

PRINT:
07-3261

SUPERSEDES:
NEW

SHEET:
1 OF 1



ALL DIMENSIONS ARE IN INCHES AND MILLIMETERS

UNITS	A	B	C	D -.06	E	2E ±.03	G	H +.05	J	O	P ²	U -.001
IN	8.88	6.76	26.50	4.48	3.75	7.50	.46	.41	1.45	9.23	9.48	1.125
MM	226	172	673	114	95	191	12	10	37	234	241	28.57

UNITS	T	AA	AB	AC	AF	AG	AH	AJ	AK -.003	B1	BA	BB MIN
IN	2.02	1.00 NPT	7.70	5.83	2.09	23.88	2.62	7.250	8.500	4.69	3.63	.28
MM	51		196	148	53	607	67	184	215.90	119	92	7

UNITS	BC	BD MAX	BF ^{3,4}	BS	ES MIN	EV	SQ KEY	XP
IN	.28	8.81	1/2-13 X 1.06	2.75	1.88	.63	.250	6.88
MM	7	224		70	48	16	6.35	175

FRAME	UNITS	2F ±.03
182TC	IN	4.50
	MM	114
184TC	IN	5.50
	MM	140

TOLERANCES	
FACE RUNOUT	.004 T.I.R.
PERMISSIBLE ECCENTRICITY OF MOUNTING RABBET	.004 T.I.R.
PERMISSIBLE SHAFT RUNOUT	.002 T.I.R.

1. DIMENSIONS MAY VARY .25" DUE TO CASTING AND/OR FABRICATION VARIATIONS
2. LARGEST MOTOR WIDTH
3. ALL TAP HOLES ARE UNIFIED NATIONAL COARSE, RIGHT HAND THREAD
4. TAP SIZE AND BOLT PENETRATION ALLOWANCE
5. STANDARD ASSEMBLY POSITION F-1 IS SHOWN. F-2 IS PROVIDED WHEN SPECIFIED. CONDUIT OPENINGS MAY BE LOCATED IN STEPS OF 90° REGARDLESS OF THE LOCATION
6. TOLERANCES ARE SHOWN IN INCHES ONLY

NOTE: THIS DIMENSION PRINT IS GOOD FOR STEARNS SERIES 1-087-0XX-00, IP54 ENCLOSURE, RANGING FROM 50 THRU 75 LB-FT.

Nidec Motor Corporation
St. Louis, Missouri

INFORMATION DISCLOSED ON THIS DOCUMENT IS CONSIDERED PROPRIETARY AND SHALL NOT BE REPRODUCED OR DISCLOSED WITHOUT WRITTEN CONSENT OF NIDEC MOTOR CORPORATION



ISSUED BY
D. CISNEROS
APPROVED BY
T. PALLETT

IHP_DP_NMCA (MAR-2011) SOLIDEDGE