

EFFECTIVE:
27-FEB-20

SUPERSEDES:
16-JUN-17

DIMENSION PRINT

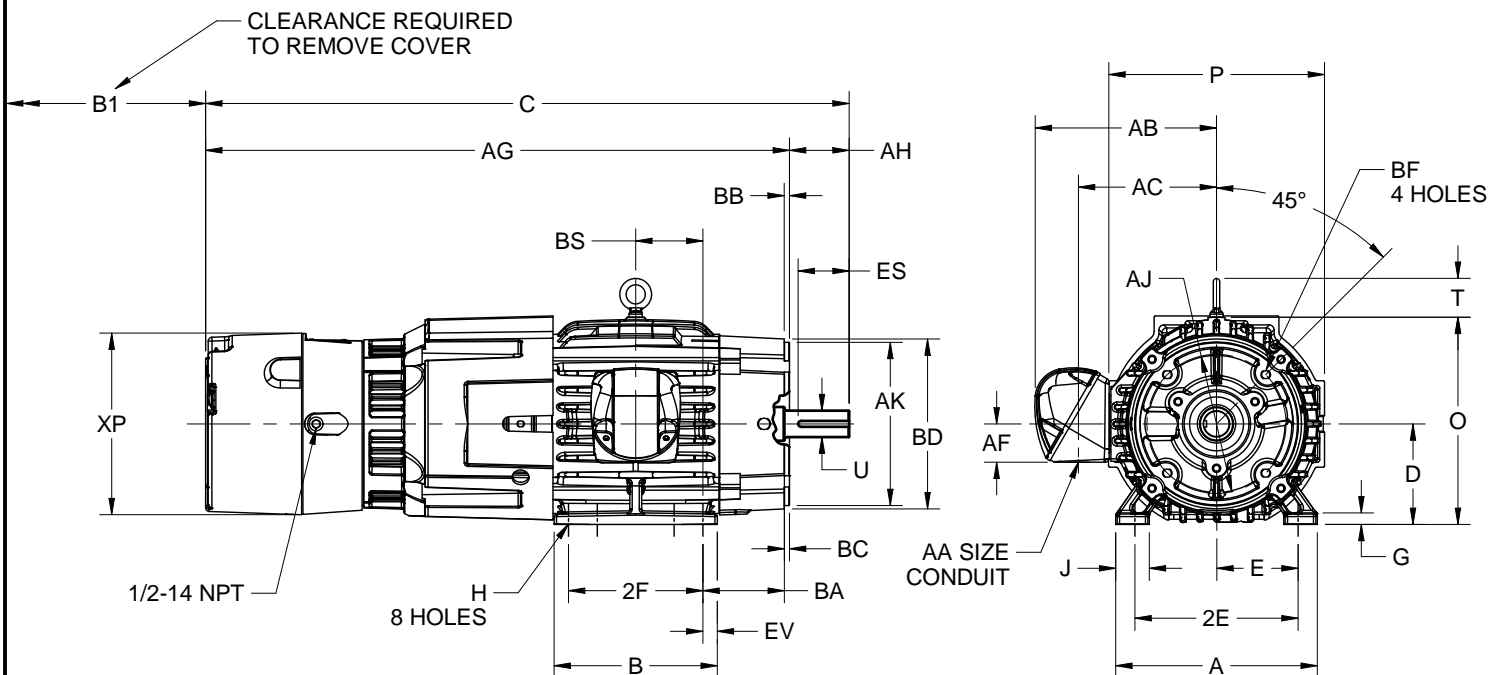
TEFC W/ BRAKE

FRAME: 210TC

BASIC TYPE: TC

PRINT:
07-3264

SHEET:
1 OF 1



ALL DIMENSIONS ARE IN INCHES AND MILLIMETERS

UNITS	A	B	C	D -.06	E	2E ±.03	G	H +.05	J	O	P ²	U -.001
IN	10.50	8.50	33.52	5.23	4.25	8.50	.75	.41	1.75	10.79	11.22	1.375
MM	267	216	851	133	108	216	19	10	44	274	285	34.93

UNITS	T	AA	AB	AC	AF	AG	AH	AJ	AK -.003	B1	BA	BB MIN
IN	2.03	1.00 NPT	9.47	7.19	2.00	30.41	3.125	7.250	8.500	4.69	4.25	.28
MM	52		241	183	51	772	79.38	184.15	215.90	119	108	7

UNITS	BC	BD MAX	BF ^{3,4}	BS	ES MIN	EV	SQ KEY	XP
IN	.27	9.00	1/2-13 X 1.06	3.50	2.41	.75	.313	9.46
MM	7	229		89	61	19	7.95	240

FRAME	UNITS	2F ±.03
213TC	IN	5.50
	MM	140
215TC	IN	7.00
	MM	178

TOLERANCES	
FACE RUNOUT	.004 T.I.R.
PERMISSIBLE ECCENTRICITY OF MOUNTING RABBET	.004 T.I.R.
PERMISSIBLE SHAFT RUNOUT	.002 T.I.R.

1. DIMENSIONS MAY VARY .25" DUE TO CASTING AND/OR FABRICATION VARIATIONS
2. LARGEST MOTOR WIDTH
3. ALL TAP HOLES ARE UNIFIED NATIONAL COARSE, RIGHT HAND THREAD
4. TAP SIZE AND BOLT PENETRATION ALLOWANCE
5. STANDARD ASSEMBLY POSITION F-1 IS SHOWN. F-2 IS PROVIDED WHEN SPECIFIED. CONDUIT OPENINGS MAY BE LOCATED IN STEPS OF 90° REGARDLESS OF THE LOCATION
6. TOLERANCES ARE SHOWN IN INCHES ONLY

NOTE: THIS DIMENSION PRINT IS GOOD FOR STEARNS SERIES 1-087-0XX-00, IP54 ENCLOSURE, RANGING FROM 50 THRU 75 LB-FT.

Nidec Motor Corporation
St. Louis, Missouri

INFORMATION DISCLOSED ON THIS DOCUMENT IS CONSIDERED PROPRIETARY AND SHALL NOT BE REPRODUCED OR DISCLOSED WITHOUT WRITTEN CONSENT OF NIDEC MOTOR CORPORATION



ISSUED BY
L. ALBELDAÑO
APPROVED BY
E. MANCILLA

IHP_DP_NMCA (MAR-2011) SOLIDEDGE