

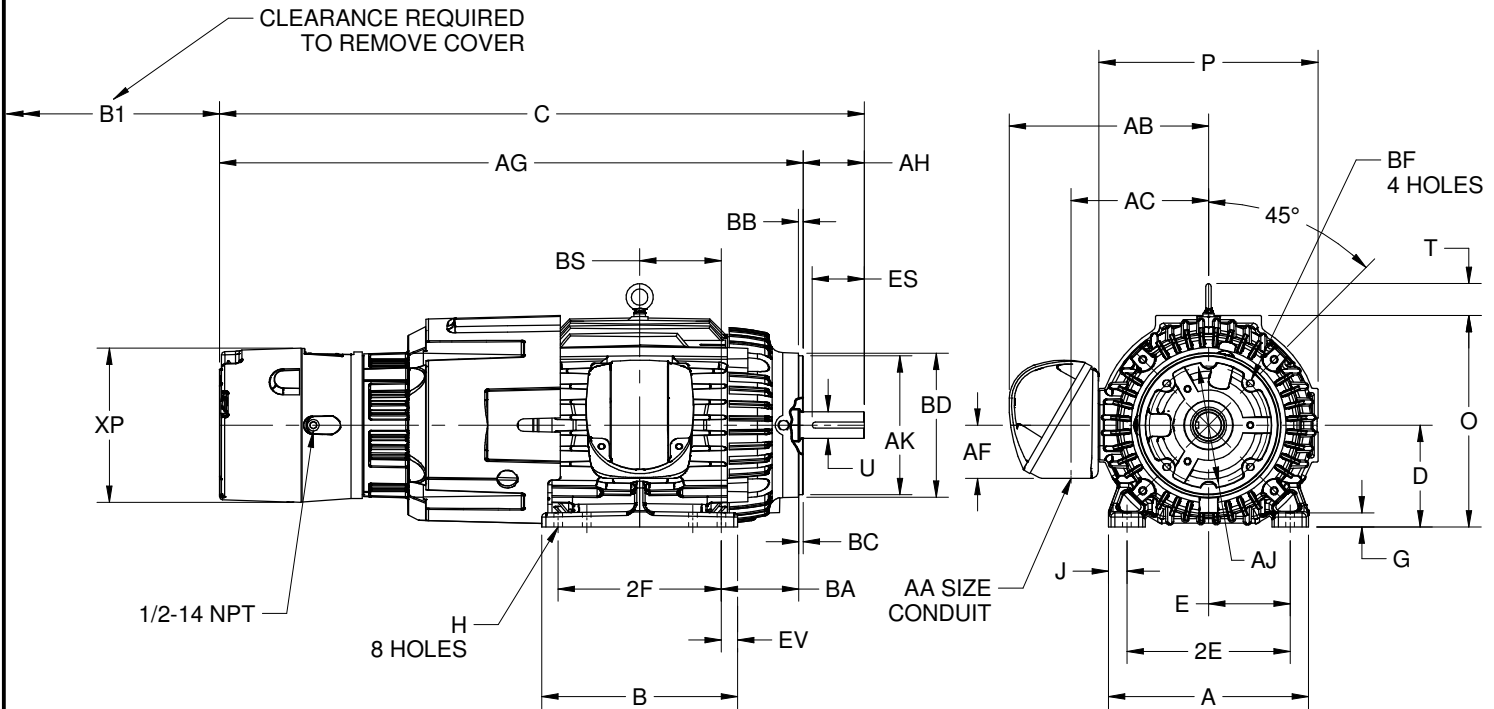
EFFECTIVE:  
**02-NOV-16**

SUPERSEDES:  
**NEW**

**DIMENSION PRINT**  
TEFC W/ BRAKE  
FRAME: 250TC  
BASIC TYPE: TC

PRINT:  
**07-3267**

SHEET:  
**1 OF 1**



ALL DIMENSIONS ARE IN INCHES AND MILLIMETERS

UNITS	A	B	C	D	E	2E	G	H	J	O	P <sup>2</sup>	U
IN	12.26	12.00	39.50	-.06	5.00	10.00	.88	.53	2.25	12.94	13.25	1.625
MM	311	305	1003	159	127	254	22	13	57	329	337	41.28

UNITS	T	AA	AB	AC	AF	AG	AH	AJ	AK	B1	BA	BB MIN
IN	2.03	1.50 NPT	12.25	8.44	2.63	35.75	3.75	7.250	8.500	4.69	4.75	.25
MM	52		311	214	67	908	95	184.15	215.90	119	121	6

UNITS	BC	BD MAX	BF <sup>3,4</sup>	BS	ES MIN	EV	SQ KEY	XP
IN	.25	10.00	1/2-13 X .75	5.00	2.91	1.00	.375	9.50
MM	6	254		127	74	25	9.53	241

FRAME	UNITS	2F ±.03
254TC	IN	8.25
	MM	210
256TC	IN	10.00
	MM	254

TOLERANCES	
FACE RUNOUT	.004 T.I.R.
PERMISSIBLE ECCENTRICITY OF MOUNTING RABBET	.004 T.I.R.
PERMISSIBLE SHAFT RUNOUT	.002 T.I.R.

1. DIMENSIONS MAY VARY .25" DUE TO CASTING AND/OR FABRICATION VARIATIONS
2. LARGEST MOTOR WIDTH
3. ALL TAP HOLES ARE UNIFIED NATIONAL COARSE, RIGHT HAND THREAD
4. TAP SIZE AND BOLT PENETRATION ALLOWANCE
5. STANDARD ASSEMBLY POSITION F-1 IS SHOWN. F-2 IS PROVIDED WHEN SPECIFIED. CONDUIT OPENINGS MAY BE LOCATED IN STEPS OF 90° REGARDLESS OF THE LOCATION
6. TOLERANCES ARE SHOWN IN INCHES ONLY

NOTE: THIS DIMENSION PRINT IS GOOD FOR STEARNS SERIES 1-087-0XX-00, IP54 ENCLOSURE, RANGING FROM 105 THRU 125 LB.-FT.

07-3267/-

**Nidec Motor Corporation**  
St. Louis, Missouri

INFORMATION DISCLOSED ON THIS DOCUMENT IS CONSIDERED PROPRIETARY AND SHALL NOT BE REPRODUCED OR DISCLOSED WITHOUT WRITTEN CONSENT OF NIDEC MOTOR CORPORATION



ISSUED BY  
**O. RODRIGUEZ**  
APPROVED BY  
**T. PALLETT**

IHP\_DP\_NMCA (MAR-2011) SOLIDEDGE