

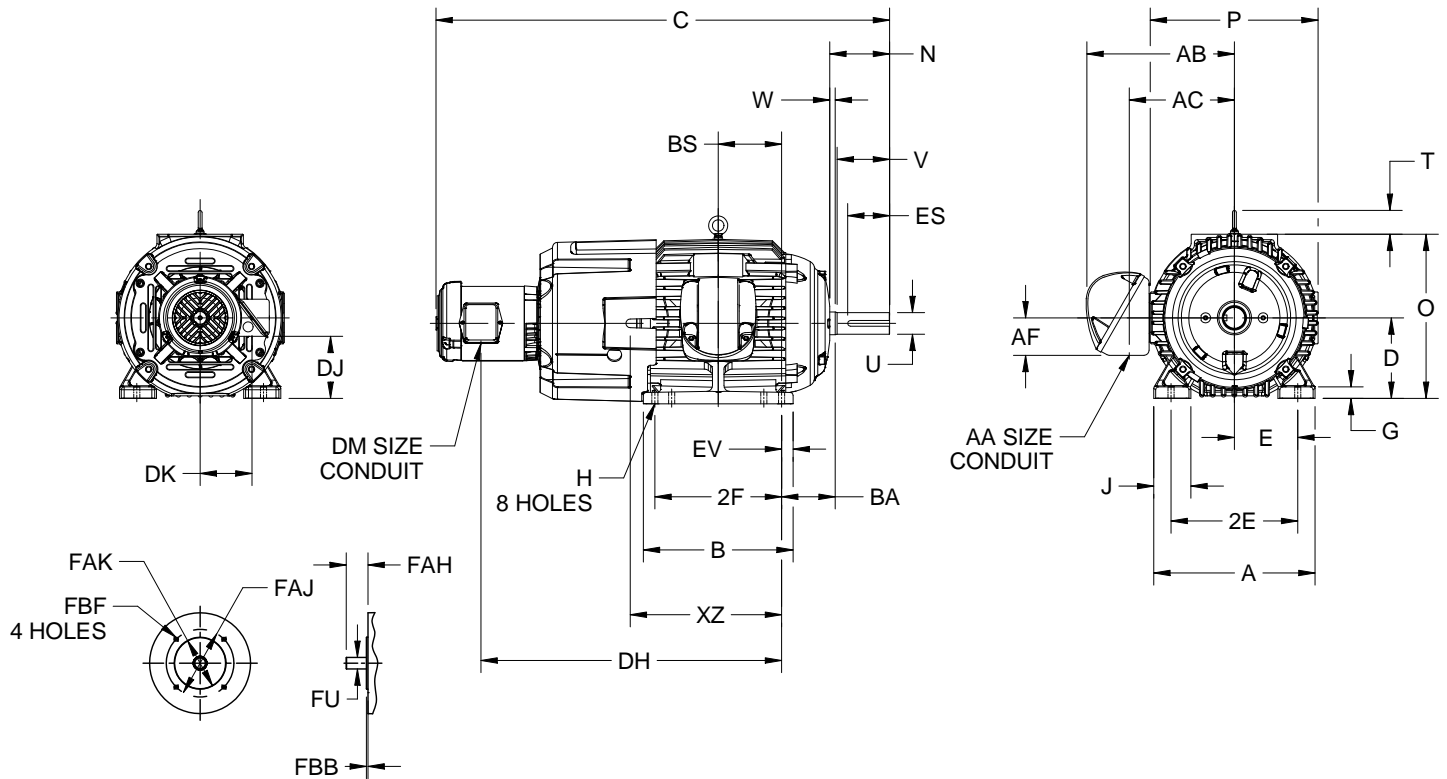
EFFECTIVE:
02-JUL-20

SUPERSEDES:
20-OCT-16

DIMENSION PRINT
TEBC (AXIAL) W/ OVERSIZED O/B
FRAME: 280T
BASIC TYPE: TCB, TCBI

PRINT:
07-3268-01

SHEET:
1 OF 1



ENCODER MOUNTING INSIDE BLOWER ENCLOSURE

ALL DIMENSIONS ARE IN INCHES AND MILLIMETERS

UNITS	A	B	C	D -.06	E	2E ±.03	G	H +.05	J	N	O
IN	14.00	13.00	39.38	7.00	5.50	11.00	1.00	.53	3.25	5.16	14.31
MM	356	330	1000	178	140	279	25	14	63	131	363

UNITS	P ²	T	U -.001	V MIN	W	AA	AB	AC	AF	BA	BS
IN	14.63	2.06	1.875	4.38	.56	2 NPT	12.88	9.13	3.25	4.75	5.50
MM	372	52	47.63	111	14		327	232	83	67	140

UNITS	DH	DJ	DK	DM	ES MIN	EV	FU -.0005	FAH	FAJ	FAK -.002	FBB MAX
IN	26.13	5.38	4.50	.75	3.28	1.00	1.0000	1.88	5.875	4.500	.16
MM	664	137	114		83	25	25.400	48	149.22	114.30	4

UNITS	FBF ^{5,6}	SQ KEY	XZ
IN	3/8-16 X .56	.500	13.13
MM		12.70	334

FRAME	UNITS	2F ±.03
284T	IN	9.50
	MM	241
286T	IN	11.00
	MM	279

1. DIMENSIONS MAY VARY .25" DUE TO CASTING AND/OR FABRICATION VARIATIONS.
2. LARGEST MOTOR WIDTH.
3. TOLERANCES ARE SHOWN IN INCHES.
4. CONDUIT BOX MAY BE LOCATED ON EITHER SIDE OF MOTOR. CONDUIT OPENINGS MAY BE LOCATED IN STEPS OF 90 DEGREES REGARDLESS OF LOCATION. STANDARD AS SHOWN WITH CONDUIT OPENING DOWN.
5. ALL TAP HOLES ARE UNIFIED NATIONAL COARSE, RIGHT HAND THREAD.
6. TAP SIZE AND BOLT PENETRATION ALLOWANCE.

07-3268/-

Nidec Motor Corporation
St. Louis, Missouri

INFORMATION DISCLOSED ON THIS DOCUMENT IS CONSIDERED PROPRIETARY AND SHALL NOT BE REPRODUCED OR DISCLOSED WITHOUT WRITTEN CONSENT OF NIDEC MOTOR CORPORATION



ISSUED BY
L. ARROYO
APPROVED BY
T. PALLETT

IHP_DP_NMCA (MAR-2011) SOLIDEDGE