

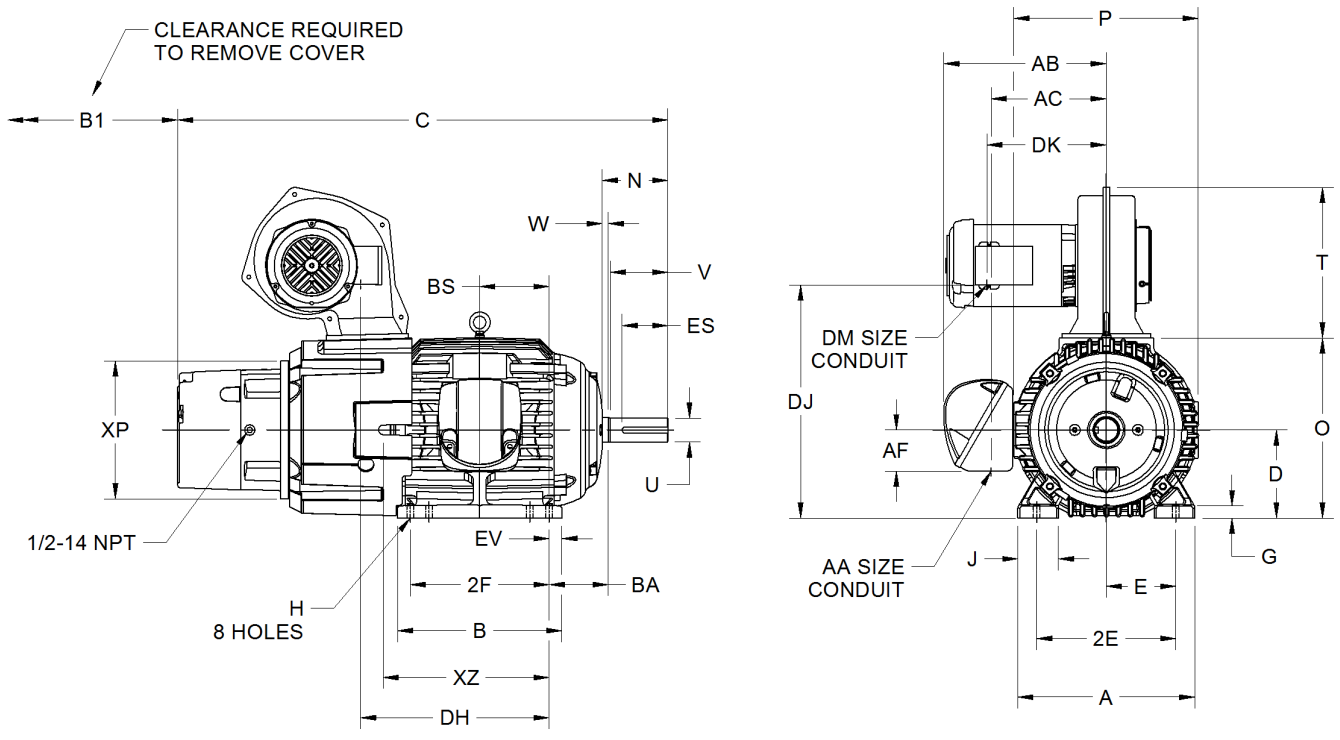
EFFECTIVE:
20-OCT-16

SUPERSEDES:
NEW

DIMENSION PRINT
TEBC (RADIAL) W/ BRAKE & OVERSIZED O/B
FRAME: 280T
BASIC TYPE: TCB, TCBX

PRINT:
07-3269-01

SHEET:
1 OF 1



ALL DIMENSIONS ARE IN INCHES AND MILLIMETERS

UNITS	A	B	C	D	E	2E	G	H	J	N	O
IN	14.00	13.00	38.81	D -.06	5.50	11.00	1.00	H +.05	3.25	5.16	14.31
MM	356	330	986	178	140	279	25	14	63	131	363

UNITS	P ²	T	U	V	W	AA	AB	AC	AF	B1	BA
IN	14.63	11.88	U -.001	V MIN	.56	2 NPT	12.88	9.13	3.25	4.69	4.75
MM	372	302	47.63	111	14		327	232	83	119	67

UNITS	BS	DH	DJ	DK	DM	ES	EV	SQ	XP	XZ
IN	5.50	14.94	18.50	9.50	.75	ES MIN	1.00	KEY	10.94	13.13
MM	140	379	470	241		83	25		12.70	278

FRAME	UNITS	2F
284T	IN	9.50
	MM	241
286T	IN	11.00
	MM	279

NOTE: THIS DIMENSION PRINT IS GOOD FOR STEARNS
SERIES 1-087-1XX-00, IP54 ENCLOSURE,
RANGING FROM 105 THRU 125 LB-FT.

1. DIMENSIONS MAY VARY .25" DUE TO CASTING AND/OR FABRICATION VARIATIONS.
2. LARGEST MOTOR WIDTH.
3. TOLERANCES ARE SHOWN IN INCHES.
4. CONDUIT BOX MAY BE LOCATED ON EITHER SIDE OF MOTOR. CONDUIT OPENINGS MAY BE LOCATED IN STEPS OF 90 DEGREES REGARDLESS OF LOCATION. STANDARD AS SHOWN WITH CONDUIT OPENING DOWN.

07-3269/-

Nidec Motor Corporation
St. Louis, Missouri

INFORMATION DISCLOSED ON THIS DOCUMENT
IS CONSIDERED PROPRIETARY AND SHALL NOT BE
REPRODUCED OR DISCLOSED WITHOUT WRITTEN
CONSENT OF NIDEC MOTOR CORPORATION



ISSUED BY
G. MARTINEZ
APPROVED BY
T. PALLETT

IHP_DP_NMCA (MAR-2011) SOLIDEDGE