

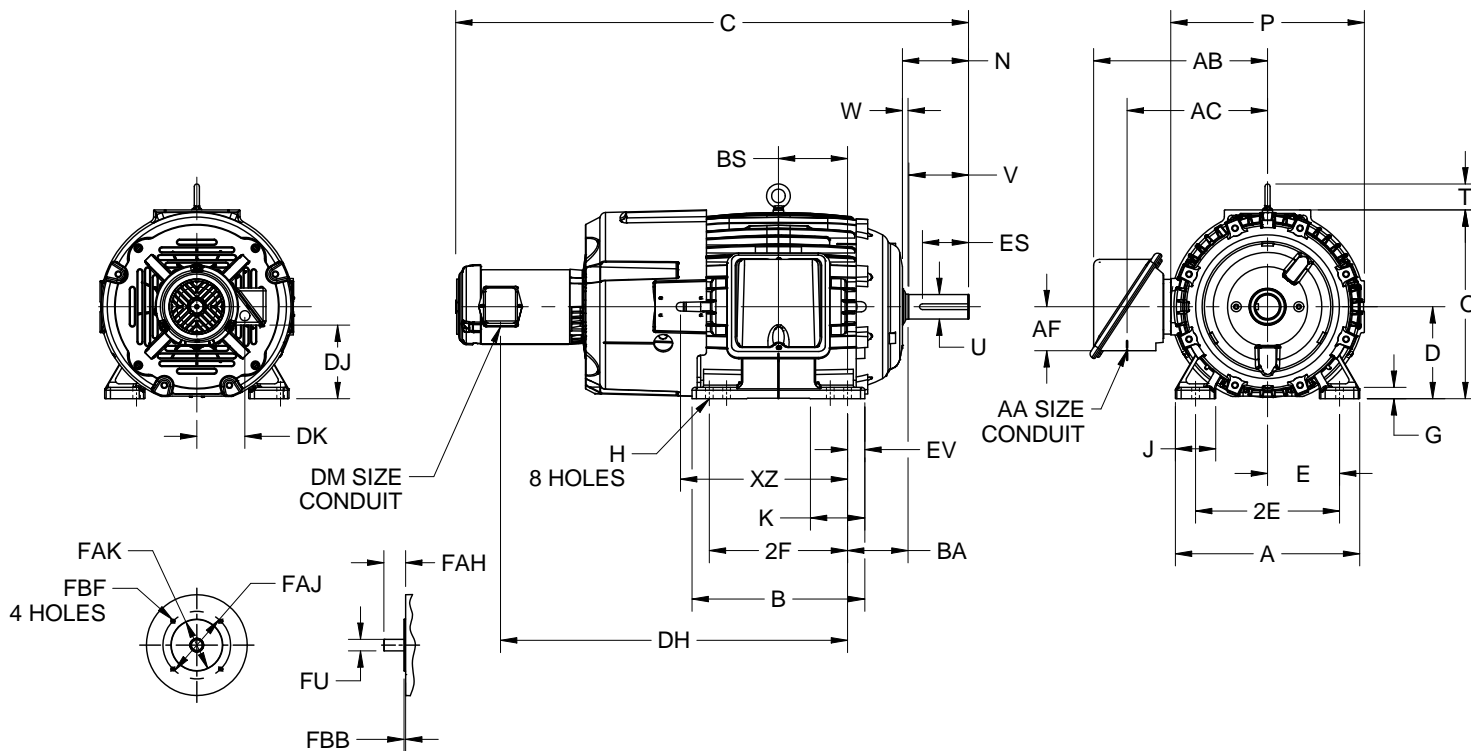
EFFECTIVE:
02-JUL-20

SUPERSEDES:
19-OCT-16

DIMENSION PRINT
TEBC (AXIAL) W/ OVERSIZED O/B
FRAME: 320T,TS
BASIC TYPE: TCB,TCBI

PRINT:
07-3271-01

SHEET:
1 OF 1



ENCODER MOUNTING INSIDE BLOWER ENCLOSURE

ALL DIMENSIONS ARE IN INCHES AND MILLIMETERS

UNITS	A	B	D	E	2E	G	H	J	K	O	P ²
IN	16.00	15.00	8.00	6.25	12.50	1.00	.66	3.50	4.75	16.38	16.38
MM	406	381	203	159	318	25	17	89	121	416	416

UNITS	T	W	AA	AB	AC	AF	BA	BS	DH	DJ	DK
IN	2.25	.47	2 NPT	15.44	12.19	3.81	5.25	6.00	30.13	6.38	4.50
MM	57	12		392	309	97	133	152	765	162	114

UNITS	DM	EV	FU	FAH	FAJ	FAK	FBB	FBF ^{5,6}	SQ	XZ
IN	.75	1.50	1.0000	1.88	5.875	4.500	.16	3/8-16 X .56	.500	14.50
MM		38	25.400	48	149.22	114.30	4		12.70	368

FRAME	UNITS	C	N	U	V	ES
324, 326T	IN	44.56	5.75	2.125	5.00	3.91
	MM	1132	146	53.98	127	99
324, 326TS	IN	43.06	4.25	1.875	3.50	2.03
	MM	1094	108	47.63	89	52

FRAME	UNITS	2F
324T, TS	IN	10.50
	MM	267
326T, TS	IN	12.00
	MM	305

1. DIMENSIONS MAY VARY .25" DUE TO CASTING AND/OR FABRICATION VARIATIONS
2. LARGEST MOTOR WIDTH
3. STANDARD ASSEMBLY POSITION F-1 IS SHOWN. F-2 IS PROVIDED WHEN SPECIFIED. CONDUIT OPENINGS MAY BE LOCATED IN STEPS OF 90° REGARDLESS OF THE LOCATION
4. TOLERANCES ARE SHOWN IN INCHES ONLY
5. ALL TAP HOLES ARE UNIFIED NATIONAL COARSE, RIGHT HAND THREAD.
6. TAP SIZE AND BOLT PENETRATION ALLOWANCE.

Nidec Motor Corporation
St. Louis, Missouri

INFORMATION DISCLOSED ON THIS DOCUMENT IS CONSIDERED PROPRIETARY AND SHALL NOT BE REPRODUCED OR DISCLOSED WITHOUT WRITTEN CONSENT OF NIDEC MOTOR CORPORATION



ISSUED BY
L. ARROYO
APPROVED BY
T. PALLETT

IHP_DP_NMCA (MAR-2011) SOLIDEDGE