

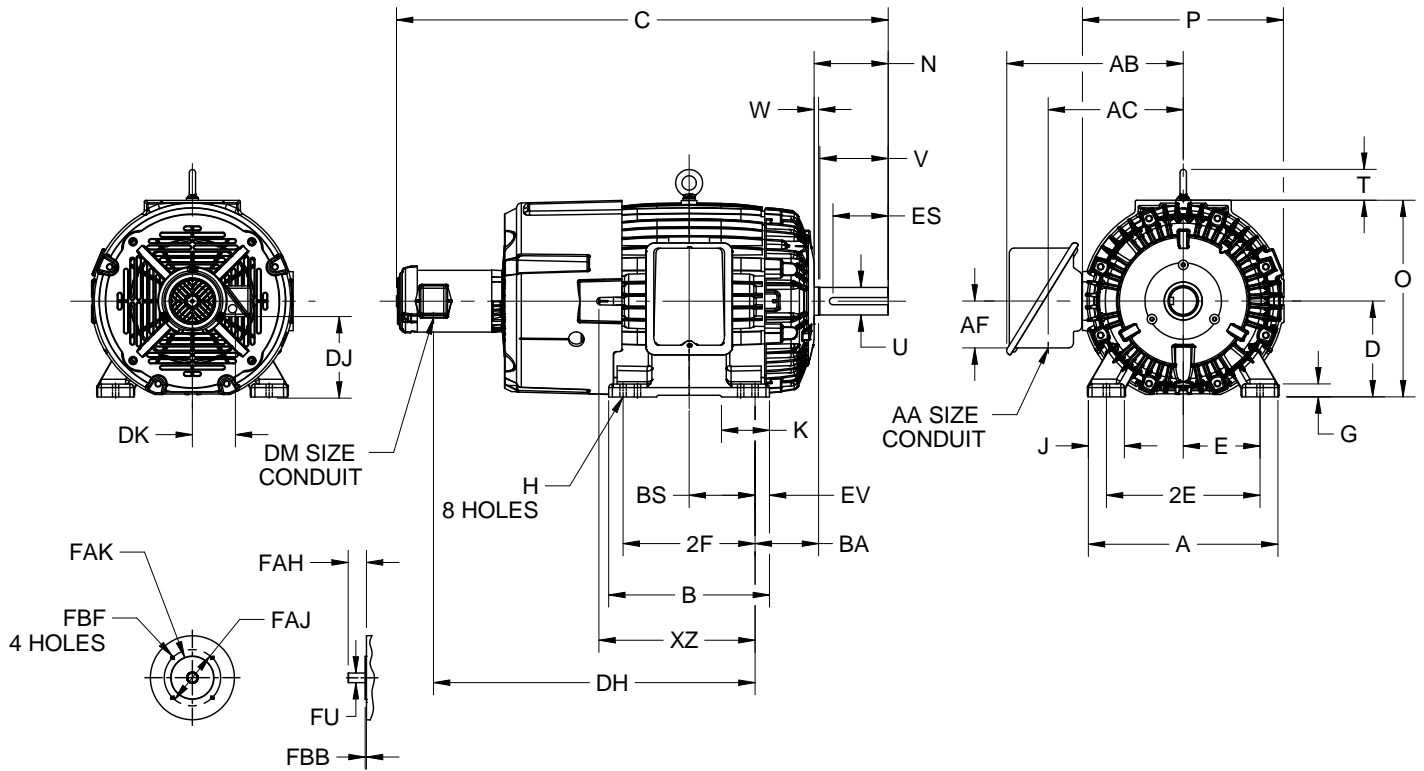
EFFECTIVE:
02-JUL-20

SUPERSEDES:
14-FEB-17

DIMENSION PRINT
TEBC (AXIAL)
FRAME: 400T
BASIC TYPE: TCB, TCBI

PRINT:
07-3277

SHEET:
1 OF 1



ENCODER MOUNTING INSIDE BLOWER ENCLOSURE

ALL DIMENSIONS ARE IN INCHES AND MILLIMETERS

UNITS	A	B	C	D -.06	E	2E ±.03	G	H +.05	J	K	N
IN	19.75	16.75	51.25	10.00	8.00	16.00	1.38	.81	3.75	5.00	7.63
MM	502	425	1302	254	203	406	35	21	95	127	194

UNITS	O	P ²	T	U -.001	V MIN	W	AA	AB	AC	AF	BA
IN	20.47	20.75	3.22	2.875	7.00	.38	3.00 NPT	18.38	14.06	4.88	6.63
MM	520	527	82	73.03	178	10		467	357	124	168

UNITS	BS	DH	DJ	DK	DM	ES MIN	EV	FU -.0005	FAH	FAJ	FAK -.002
IN	6.88	33.50	8.38	4.50	.75	5.66	1.50	1.0000	1.88	5.875	4.500
MM	175	851	213	114		144	38	25.400	48	149.22	114.30

UNITS	FBB MAX	FBF ^{5,6}	XZ	SQ KEY
IN	.16	3/8-16 X .56	16.13	.750
MM	4		410	19.05

FRAME	UNITS	2F ±.03
404T	IN	12.25
	MM	311
405T	IN	13.75
	MM	349

1. ALL ROUGH CASTING DIMENSIONS MAY VARY BY .25" DUE TO CASTING AND/OR FABRICATION VARIATIONS.
2. LARGEST MOTOR WIDTH.
3. TOLERANCES SHOWN ARE IN INCHES ONLY.
4. STANDARD ASSEMBLY POSITION F-1 IS SHOWN F-2 IS PROVIDED WHEN SPECIFIED. CONDUIT OPENINGS MAY BE LOCATED IN STEPS OF 90 DEGREES REGARDLESS OF LOCATION. STANDARD AS SHOWN WITH CONDUIT OPENING DOWN.
5. ALL TAP HOLES ARE UNIFIED NATIONAL COARSE, RIGHT HAND THREAD.
6. TAP SIZE AND BOLT PENETRATION ALLOWANCE.

07-32771-

Nidec Motor Corporation
St. Louis, Missouri

INFORMATION DISCLOSED ON THIS DOCUMENT IS CONSIDERED PROPRIETARY AND SHALL NOT BE REPRODUCED OR DISCLOSED WITHOUT WRITTEN CONSENT OF NIDEC MOTOR CORPORATION



ISSUED BY
L. ARROYO
APPROVED BY
T. PALLETT

IHP_DP_NMCA (MAR-2011) SOLIDEDGE