

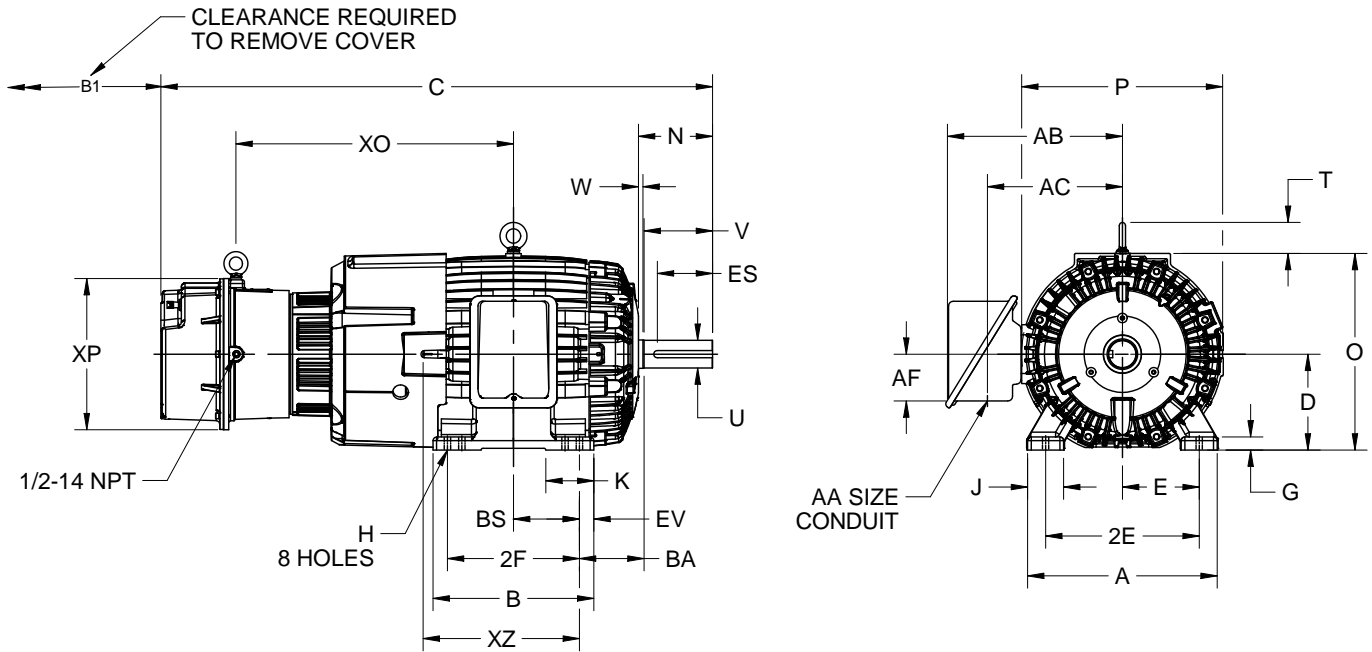
EFFECTIVE:
21-AUG-17

SUPERSEDES:
04-MAY-17

DIMENSION PRINT
TEFC W/ BRAKE
FRAME: 400T
BASIC TYPE: TC

PRINT:
07-3279

SHEET:
1 OF 1



ALL DIMENSIONS ARE IN INCHES AND MILLIMETERS

UNITS	A	B	C	D -.06	E	2E ±.03	G	H +.05	J	K	N
IN	19.75	16.75	57.47	10.00	8.00	16.00	1.38	.81	3.75	5.00	7.63
MM	502	425	1460	254	203	406	35	21	95	127	194

UNITS	O	P ²	T	U -.001	V MIN	W	AA	AB	AC	AF	BA
IN	20.47	20.75	3.22	2.875	7.00	.38	3.00 NPT	18.38	14.06	4.88	6.63
MM	520	527	82	73.03	178	10		467	357	124	168

UNITS	BS	B1	ES MIN	EV	XP	SQ KEY
IN	6.88	6.00	5.66	1.50	15.75	.750
MM	175	152	144	38	400	19.05

FRAME	UNITS	2F ±.03
404T	IN	12.25
	MM	311
405T	IN	13.75
	MM	349

NOTE : THIS DIMENSION PRINT IS GOOD FOR STEARNS SERIES 1-082-05X-02, IP54 ENCLOSURE , 440LB-FT

- ALL ROUGH CASTING DIMENSIONS MAY VARY BY .25" DUE TO CASTING AND/OR FABRICATION VARIATIONS.
- LARGEST MOTOR WIDTH.
- TOLERANCES SHOWN ARE IN INCHES ONLY.

- STANDARD ASSEMBLY POSITION F-1 IS SHOWN F-2 IS PROVIDED WHEN SPECIFIED. CONDUIT OPENINGS MAY BE LOCATED IN STEPS OF 90 DEGREES REGARDLESS OF LOCATION. STANDARD AS SHOWN WITH CONDUIT OPENING DOWN.

Nidec Motor Corporation
St. Louis, Missouri

INFORMATION DISCLOSED ON THIS DOCUMENT IS CONSIDERED PROPRIETARY AND SHALL NOT BE REPRODUCED OR DISCLOSED WITHOUT WRITTEN CONSENT OF NIDEC MOTOR CORPORATION



ISSUED BY
F. CRUZ
APPROVED BY
J. MAGALLANES

IHP_DP_NMCA (MAR-2011) SOLIDEDGE