

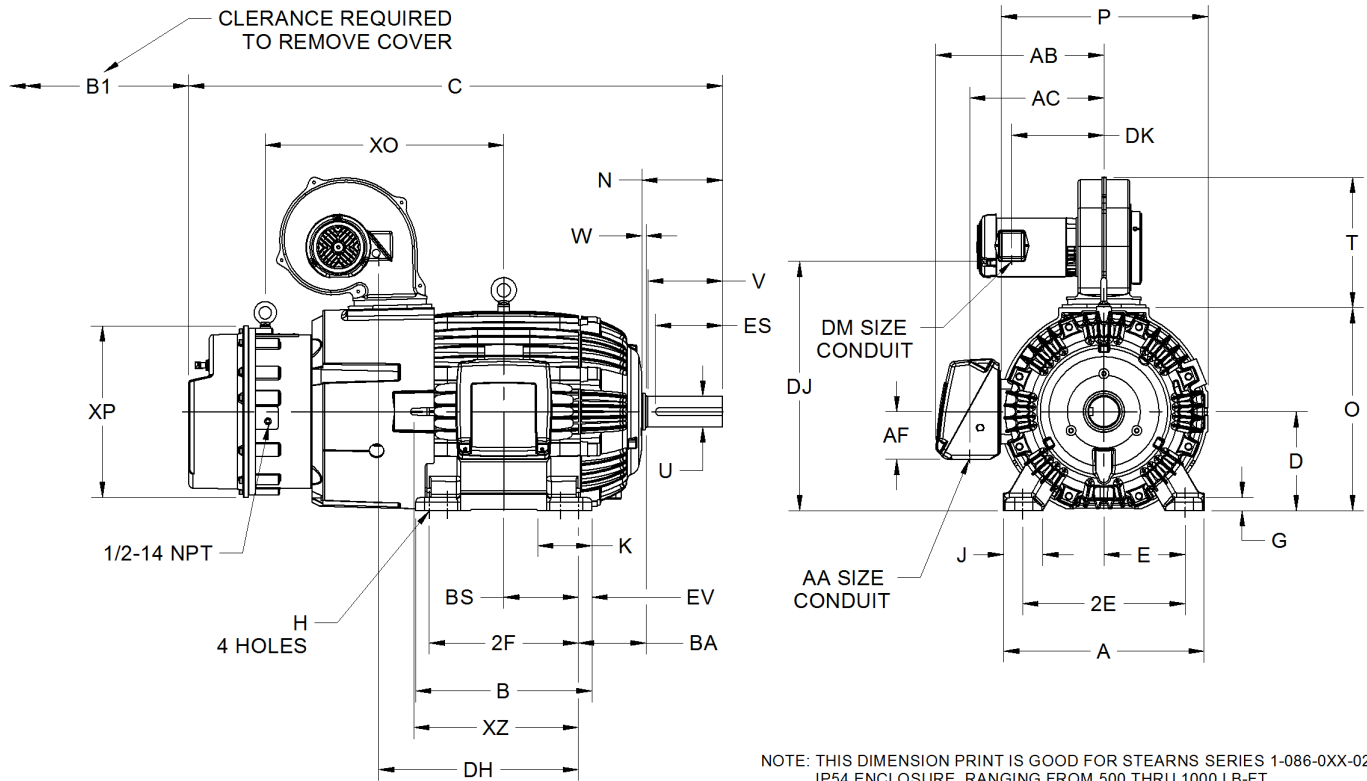
EFFECTIVE:
26-AUG-16

SUPERSEDES:
NEW

DIMENSION PRINT
TEBC (RADIAL) W/ BRAKE
FRAME: 444T THRU 447TS
BASIC TYPE: TCB, TCBI

PRINT:
07-3281

SHEET:
1 OF 1



NOTE: THIS DIMENSION PRINT IS GOOD FOR STEARNS SERIES 1-086-0XX-02, IP54 ENCLOSURE, RANGING FROM 500 THRU 1000 LB-FT.

ALL DIMENSIONS ARE IN INCHES AND MILLIMETERS

UNITS	A	D -.06	E	2E ±.03	G	H +.05	J	O	P ²	T	W	AA
IN	22.00	11.00	9.00	18.00	1.50	.81	4.00	22.63	22.53	14.31	.38	3.50 NPT
MM	559	279	229	457	38	21	102	575	572	363	10	

UNITS	AB	AC	AF	B1	BA ±.09	DJ	DK	DM	EV	XO	XP	XZ
IN	18.63	14.81	5.28	6.00	7.50	27.63	10.22	.75	1.50	26.44	19.00	18.19
MM	473	376	134	152	191	702	260		38	672	483	462

FRAME	UNITS	C	N	U -.001	V MIN	ES MIN	SQ KEY
444, 445T	IN	59.13	8.88	3.375	8.25	6.91	.875
	MM	1502	226	85.73	210	176	22.23
444, 445TS	IN	55.38	5.13	2.375	4.50	3.03	.625
	MM	1407	130	60.33	114	77	15.88
447T	IN	62.63	8.88	3.375	8.25	6.91	.875
	MM	1591	226	85.73	210	176	22.23
447TS	IN	58.88	5.13	2.375	4.50	3.03	.625
	MM	1496	130	60.33	114	77	15.88

FRAME	UNITS	2F ±.03
444	IN	14.50
	MM	368
445	IN	16.50
	MM	419
447	IN	20.00
	MM	508

FRAME	UNITS	B	K	BS	DH
444, 445	IN	19.50	6.00	8.25	22.13
	MM	495	152	210	562
447	IN	23.00	4.00	10.00	25.63
	MM	584	102	254	651

1. DIMENSIONS MAY VARY .25" DUE TO CASTING AND/OR FABRICATION VARIATIONS.
2. LARGEST MOTOR WIDTH.
3. TOLERANCES ARE SHOWN IN INCHES.
4. CONDUIT BOX MAY BE LOCATED ON EITHER SIDE OF MOTOR. CONDUIT OPENING MAY BE LOCATED IN STEPS OF 90 DEGREES REGARDLESS OF LOCATION. STANDARD AS SHOWN WITH CONDUIT OPENING DOWN.

Nidec Motor Corporation
St. Louis, Missouri

INFORMATION DISCLOSED ON THIS DOCUMENT IS CONSIDERED PROPRIETARY AND SHALL NOT BE REPRODUCED OR DISCLOSED WITHOUT WRITTEN CONSENT OF NIDEC MOTOR CORPORATION



ISSUED BY
O. RODRIGUEZ
APPROVED BY
T. PALLETT

IHP_DP_NMCA (MAR-2011) SOLIDEDGE