

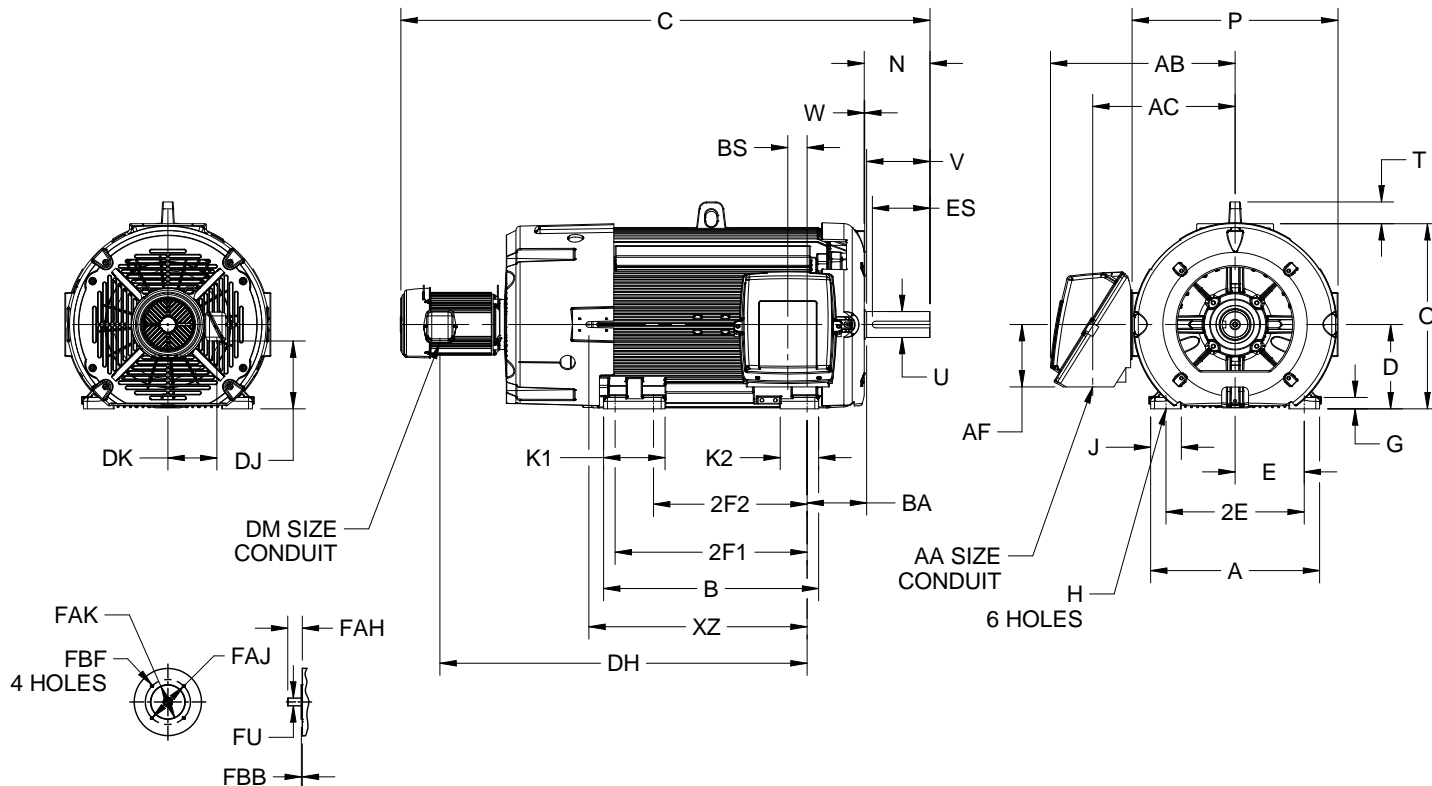
EFFECTIVE:
02-JUL-20

SUPERSEDES:
09-DEC-16

DIMENSION PRINT
TEBC (AXIAL)
FRAME: 449
BASIC TYPE: JB, JCB

PRINT:
07-3283

SHEET:
1 OF 1



ALL DIMENSIONS ARE IN INCHES AND MILLIMETERS

UNITS	A	B	D	E	2E	2F1	2F2	G	H	J	K1
IN	22.00	28.00	11.00	9.00	18.00	25.00	20.00	1.50	.81	4.00	8.00
MM	559	711	279	229	457	635	508	38	21	102	203

UNITS	K2	O	P ²	T	AB	AC	AF	BA	BS	DH	DJ
IN	5.00	24.06	26.50	2.88	24.25	18.53	8.06	7.50	2.50	47.81	8.63
MM	127	611	673	73	616	471	205	191	64	1214	219

UNITS	DK	DM	FU	FAH	FAJ	FAK	FBB	FBF ^{5,6}	XZ
IN	6.38	.75	1.0000	1.88	5.875	4.500	.16	3/8-16 X .56	44.44
MM	162		25.400	48	149.22	114.30	4		1129

FRAME	UNITS	C	N	U	V	W	ES	SQ
449T	IN	69.00	8.94	3.375	8.25	.44	7.00	.875
	MM	1753	227	85.73	210	11	178	22.23
449TL	IN	71.00	10.63	4.375	10.25	.12	8.50	1.000
	MM	1803	270	111.13	260	3	216	25.40
449TM	IN	66.25	5.19	2.875	4.50	.44	3.63	.750
	MM	1683	132	73.03	114	11	92	19.05
449TS	IN	66.25	5.19	2.375	4.50	.44	3.13	.625
	MM	1683	132	60.33	114	11	80	15.88

AA
2 NPT
2 1/2 NPT
3 NPT
3 1/2 NPT
4 NPT

1. DIMENSIONS MAY VARY .25" DUE TO CASTING AND/OR FABRICATION VARIATIONS.
2. LARGEST MOTOR WIDTH.
3. TOLERANCES ARE SHOWN IN INCHES.
4. CONDUIT BOX MAY BE LOCATED ON EITHER SIDE OF MOTOR. CONDUIT OPENING MAY BE LOCATED IN STEPS OF 90 DEGREES REGARDLESS OF LOCATION. STANDARD AS SHOWN WITH CONDUIT OPENING DOWN.

5. ALL TAP HOLES ARE UNIFIED NATIONAL COARSE, RIGHT HAND THREAD.
6. TAP SIZE AND BOLT PENETRATION ALLOWANCE.

Nidec Motor Corporation
St. Louis, Missouri

INFORMATION DISCLOSED ON THIS DOCUMENT IS CONSIDERED PROPRIETARY AND SHALL NOT BE REPRODUCED OR DISCLOSED WITHOUT WRITTEN CONSENT OF NIDEC MOTOR CORPORATION



ISSUED BY
L. ARROYO
APPROVED BY
T. PALLETT

IHP_DP_NMCA (MAR-2011) SOLIDEDGE